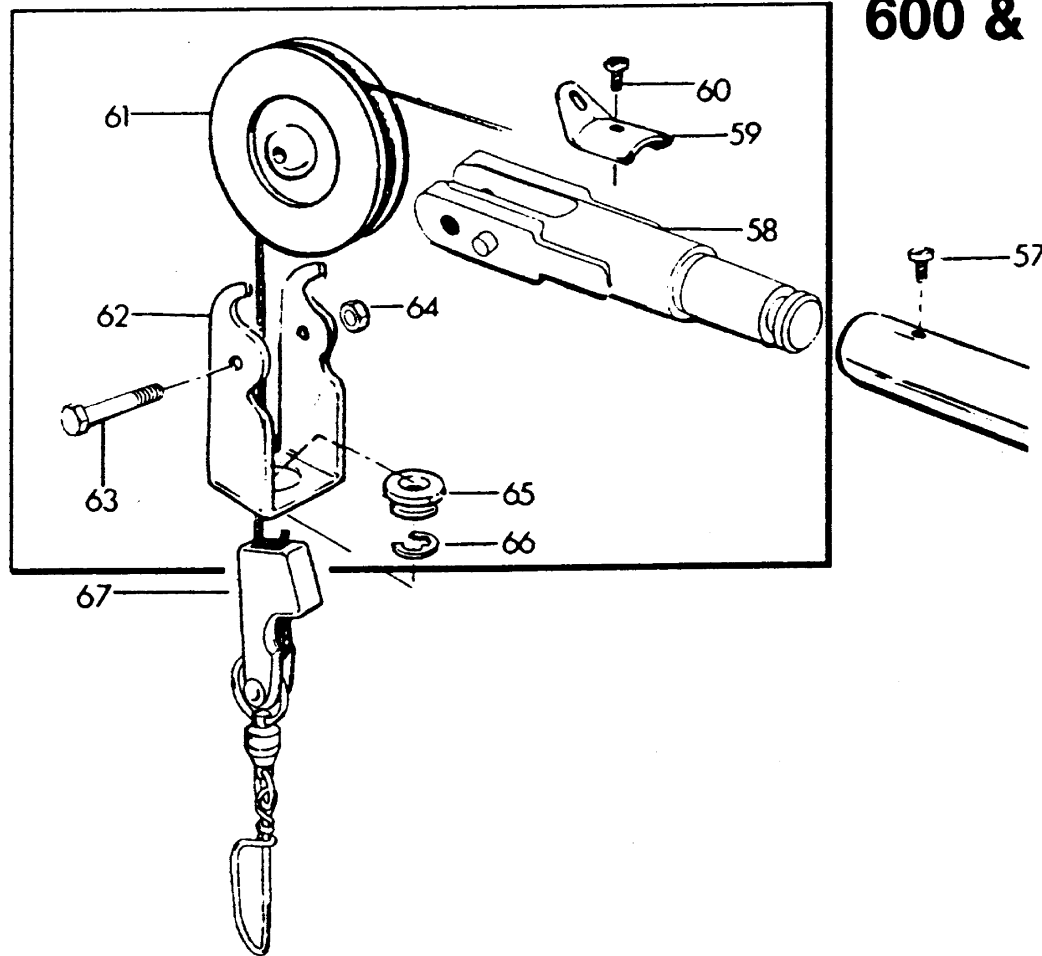




PARTS FOR COMMON DOWNRIGGER SUB-ASSEMBLIES

BOOM TIP ASSEMBLY 600 & 800 SERIES



www.PENNparts.com

Scott's Bait & Tackle

Penn Parts Dept.
945 Radio Road
Tuckerton NJ 08087
(609) 296-1300

No Minimum Order!
Plus, Parts in stock
that Penn doesn't
carry anymore.

Penn Reel Parts list for: COMMON DOWNRIGGER SUB-ASSEMBLIES

Model: 600 & 800 SERIES BOOM TIP ASSEMBLY

KEY PART

NO	NO.	DESCRIPTION
57	204P-600	BOOM TIP SCREW
58	218-800	BOOM TIP
59	223-836	LINE GUIDE
60	204R-820	LINE GUIDE SCREW
61	180-600	BOOM PULLEY
62	201-620	LINE GUIDE BRACKET
63	182-800	BOOM PULLEY SCREW
64	208-815	SELF LOCK HEX NUT
65	202-600	LINE GUIDE SLEEVE
66	203-600	SLEEVE RETAINING RING
67	213-825SP	CABLE HARDWARE

NOTE: Many of www.pennparts.com schematics include changes that were either made by Penn, or errors found and corrected by our parts dept.
Last updated 4/12/03