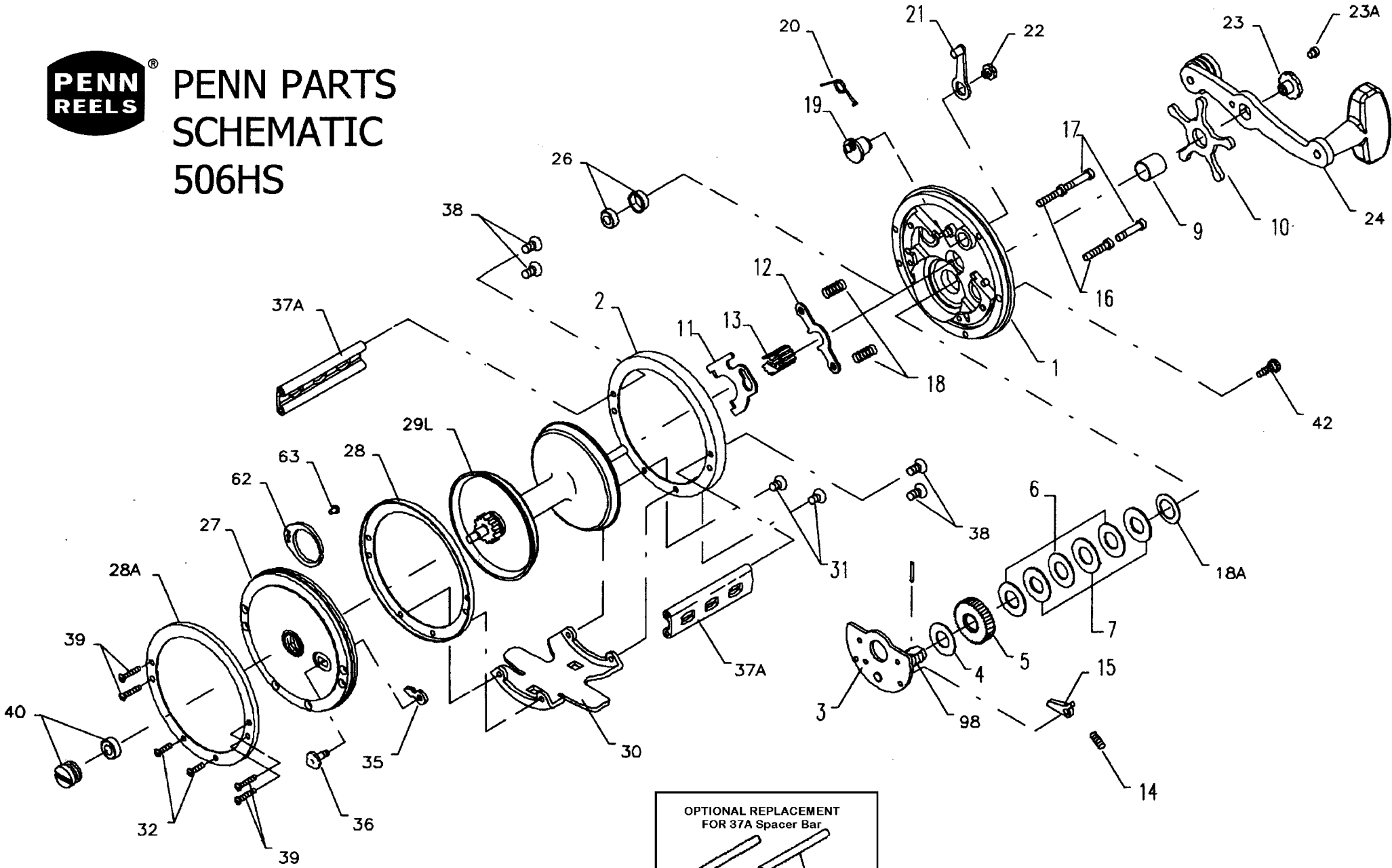




PENN PARTS SCHEMATIC 506HS



OPTIONAL REPLACEMENT
FOR 37A Spacer Bar

37

Penn Reel Parts list for Model: 506HS Jigmaster Highspeed

KEY NO	PART NO.	DESCRIPTION	KEY NO	PART NO.	DESCRIPTION
1	1-506	HANDLE SIDE PLATE	26	26-113H	HANDLE SIDE BEARING
2	2-250	HANDLE SIDE RING	27	27-505	NON-HANDLE SIDE PLATE
3	3-505	BRIDGE W/ SLEEVE	28	28-110-I	NON-HANDLE SIDE PLATE (INNER)
4	4-60	FIBER WASHER	28A	28-110-O	NON-HANDLE SIDE RING (OUTER)
5	5-505	MAIN GEAR	29L	29L-506	ALUMINUM SPOOL
6	6-309	WASHER	30	30-49	STAND
7	7C-500	WASHER (METAL SET)	31	31-19	HANDLE SIDE STAND SCREW
9	9-60	SPACING SLEEVE	32	39-3	NON-HANDLE SIDE STAND SCREW
10	10-505	STAR DRAG	33	33-49	ROD CLAMP
	11-99	ECCENTRIC JACK	34	34-49	CLAMP SCREW (2 REQ.)
12	12-500	PINION YOKE	34C	34C-49	CLAMP SCREW W/ NUTS
13	13-505	PINION GEAR	35	35-60	CLICK TONGUE
14	14-500	DOG SPRING	36	36-209	CLICK BUTTON
15	15-500	DOG	37	37-180	POST (OPTIONAL)
16	16-60CH	LOWER BRIDGE SCREW			USE 2 IN PLACE OF 1 SPACER BAR
17	17-60CH	UPPER BRIDGE SCREW	37A	37A-506	SPACER BAR
18	18-60	CLUTCH SPRING	38	38-7	HANDLE SIDE POST SCREW
18A	18-505	DRAG SPRING DISC	39	39-9	NON-HANDLE SIDE POST SCREW
19	19-250	ECCENTRIC	40	40A-210	NON-HANDLE SIDE BEARING
20	20-60L	ECCENTRIC SPRING	42	129-200	TAKE APART THUMB SCREW
21	21-285	ECCENTRIC LEVER	62	62-309	CLICK SPRING
22	22-99	ECCENTRIC SCREW	63	63-209	CLICK SPRING SCREW
23	23-60	HANDLE SCREW	98	98-505	GEAR SLEEVE
23A	110-60	HANDL LOCK SCREW	149	149-45	CLAMP NTU (2 REQ.)
24	24-66	HANDLE (COMPLETE)	149A	149-200	HEX NUT (2 REQ.)
			*	152-200	CLAMP WING NUT (2 REQ.)

** Not Shown*

NOTE: Many of www.pennparts.com schematics include changes that were either made by Penn, or errors found and corrected by our parts dept.
SBT Ver. 070415

CLICKER RELATED NOTES/PART CHANGE INFO

INSTALLATION:

To replace the click tongue on models where it is peened into place, use a dremel drill with a fine tip to remove the old click tongue and click button. Then peen the new 36-209 into place.

OPTIONAL:

Any reel that uses the 36-209 button can use:

36N-209 button and a 69B-600 removable c clip

This newer style is held by the clip instead of being peened in place.