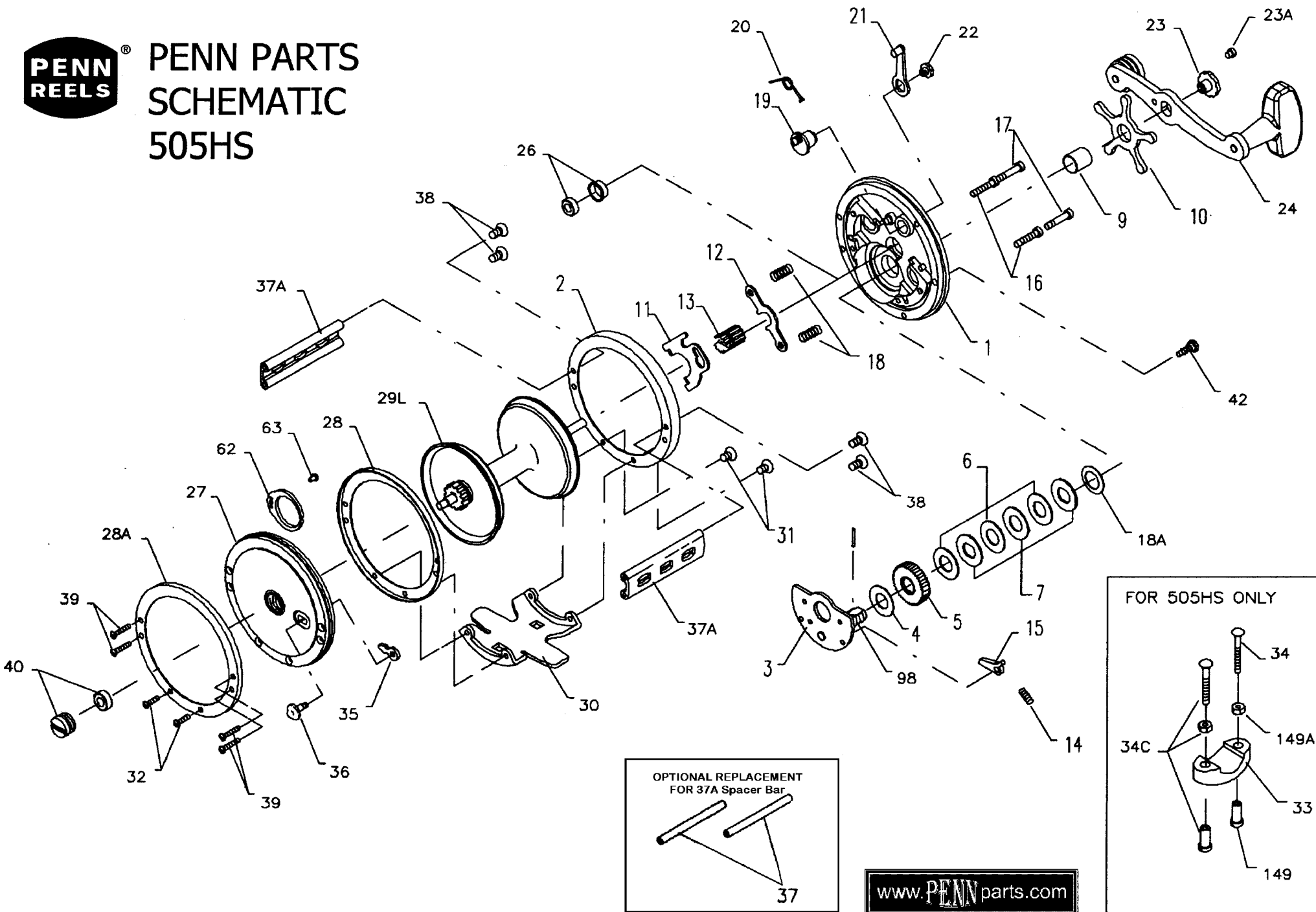




PENN PARTS SCHEMATIC 505HS



OPTIONAL REPLACEMENT
FOR 37A Spacer Bar

37

www.PENNparts.com

FOR 505HS ONLY

34
149A
33
149
34C

Penn Reel Parts list for Model: 505HS Jigmaster Highspeed

KEY NO	PART NO.	DESCRIPTION	KEY NO	PART NO.	DESCRIPTION
1	1-505	HANDLE SIDE PLATE	26	26-113H	HANDLE SIDE BEARING
2	2-250	HANDLE SIDE RING	27	27-505	NON-HANDLE SIDE PLATE
3	3-505	BRIDGE W/ SLEEVE	28	28-110-I	NON-HANDLE SIDE PLATE (INNER)
4	4-60	FIBER WASHER	28A	28-110-O	NON-HANDLE SIDE RING (OUTER)
5	5-505	MAIN GEAR	29L	29L-505	ALUMINUM SPOOL
6	6-309	WASHER	30	30-200	STAND
7	7C-500	WASHER (METAL SET)	31	31-19	R.S. STAND SCREW
9	9-60	SPACING SLEEVE	32	39-3	L.S. STAND SCREW
10	10-505	STAR DRAG	33	33-113	ROD CLAMP
11	11-99	ECCENTRIC JACK	*	33R-200	RINGED ROD CLAMP
12	12-500	PINION YOKE	34	34-45	CLAMP SCREW (2 REQ.)
13	13-505	PINION GEAR	34C	34C-45	CLAMP SCREW W/ NUTS
14	14-500	DOG SPRING	35	35-60	CLICK TONGUE
15	15-500	DOG	36	36-209	CLICK BUTTON
16	16-60CH	LOWER BRIDGE SCREW	37	37-155	POSTS (OPTIONAL - 4 REQ.)
17	17-60CH	UPPER BRIDGE SCREW			CAN USE TWO 37'S IN PLACE OF ONE 37A
18	18-60	CLUTCH SPRING	37A	37A-500S	SPACER BAR
18A	18-505	DRAG SPRING DISC	38	38-7	HANDLE SIDE POST SCREW
19	19-250	ECCENTRIC	39	39-9	NON-HANDLE SIDE POST SCREW
20	20-60L	ECCENTRIC SPRING	40	40A-210	NON-HANDLE SIDE BEARING
21	21-285	ECCENTRIC LEVER	42	129-200	TAKE APART THUMB SCREW
22	22-99	ECCENTRIC SCREW	62	62-309	CLICK SPRING
23	23-60	HANDLE SCREW	63	63-209	CLICK SPRING SCREW
23A	110-60	HANDL LOCK SCREW	98	98-505	GEAR SLEEVE
24	24-66	HANDLE (COMPLETE)	149	149-45	CLAMP NUT (2 REQ.)
			149A	149-200	HEX NUT (2 REQ.)

** Not Shown*

NOTE: Many of www.pennparts.com schematics include changes that were either made by Penn, or errors found and corrected by our parts dept.
SBT Ver. 070415

CLICKER RELATED NOTES/PART CHANGE INFO

INSTALLATION:

To replace the click tongue on models where it is peened into place, use a dremel drill with a fine tip to remove the old click tongue and click button. Then peen the new 36-209 into place.

OPTIONAL:

Any reel that uses the 36-209 button can use:

36N-209 button and a 69B-600 removable c clip

This newer style is held by the clip instead of being peened in place.