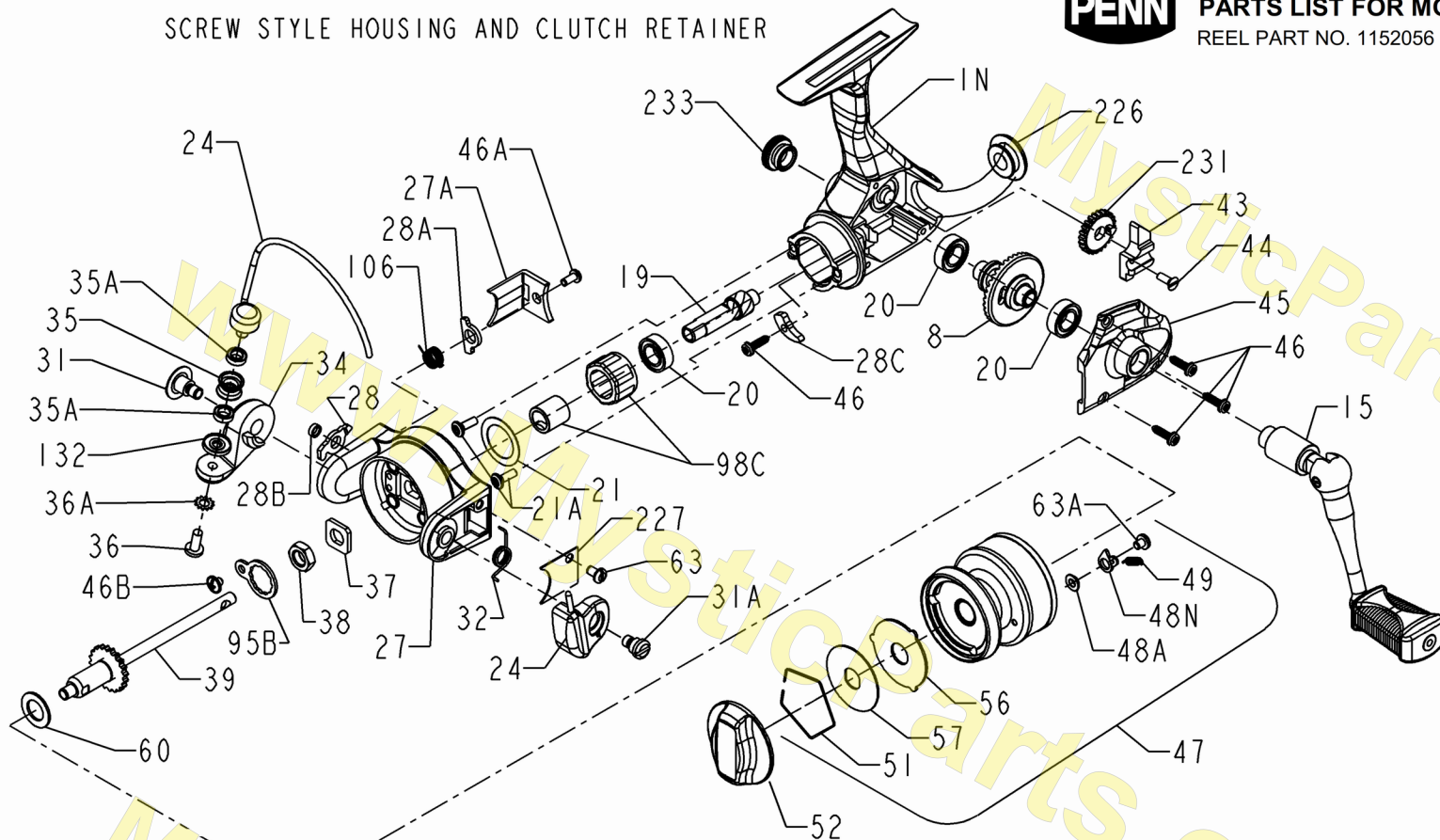




SCREW STYLE HOUSING AND CLUTCH RETAINER



mysticparts.com
MYSTIC REEL PARTS
965 Radio Road
Little Egg Harbor, NJ 08087
+1 (609) 296-1300
www.mysticparts.com
customerservice@mysticparts.com

DESIGN WAS CHANGE FROM THIS TO THE ABOVE

KEY NO.	PART NO.	ORIGINAL PENN NO.	DESCRIPTION
1	1180506	001 420G	Housing
21	1192634	021 420G	Bearing Retainer

CLIP STYLE HOUSING AND CLUTCH RETAINER

Penn Reel Parts list for Model: 420SSg

KEY NO	PUREFISHING 7 DIGIT #	Penn Part Number	DESCRIPTION
8	1181082	8-4200	MAIN GEAR
19	1191237	19-420G	PINION
20	1181780	20-4200	BALL BEARING
24	1191299	24-420G	BAIL WIRE
27	1191409	27-420G	ROTOR
27A	1182319	27A-4200	BAIL TRIP COVER
28	1182393	28-420	TRIP LEVER
28A	1182426	28A-440	CAM LEVER
28B	1182440	28B-4200	TRIP LEVER BUSHING
28C	1192674	28C-420G	TRIP CAM
31	1181568	31-430G	BAIL ARM SCREW
31A	1182689	31A-550G	TRIP ARM SCREW
32	1182725	32-420	BAIL SPRING
34	1182818	34-420	BAIL ARM
35	1182931	35-550G	LINE ROLLER
35A	1182965	35A-8500J	BALL BEARING
36A	1183032	36A-750	LOCK WASHER
37	1183076	37-420	ROTOR WASHER
38	1183158	38-720	ROTOR NUT
39	1191751	39-420G	SPOOL SHAFT
43	1191803	43-420G	CROSSWIND BLOCK
44	1191844	44-420G	CROSSWIND BLOCK SCREW
45	1191866	45-420G	HOUSING COVER

KEY NO	PUREFISHING 7 DIGIT #	Penn Part Number	DESCRIPTION
46	1191902	46-430G	COVER SCREW (3 REQUIRED)
46A	1183585	46A-4300	BAIL TRIP COVER SCREW
47	1191928	47-420G	SPOOL
48A	1183720	48A-4300	CLICK TONGUE WASHER
48N	1183727	48N-4300	CLICK TONGUE
49	1183737	49-4300	CLICK TONGUE SPRING
51	1191977	51-430G	RETAINING RING
52	1183816	52-430G	DRAG KNOB
56	1183905	56-4200	DRAG WASHER-HT 100
57	1183930	57-4200	METAL KEYED WASHER
60	1184006	60-716	THRUST WASHER (TEFLON)
62	1184052	63-500S	BAIL SPRING COVER SCREW
63A	1184057	63A-2.5FR	CLICK SPRING SCREW
106	1184432	106-5500	LEVER SPRING
132	1184589	132-5500J	ROLLER WASHER
226	1192459	226-430G	REAR CAP
227	1185044	227-4300	BAIL SPRING COVER
231	1192500	231-420G	CROSSWIND GEAR
233	1192522	233-420G	BEARING COVER
**	NLA	237-420G	Decal, Housing ("Penn 420SSg")
**	NLA	238-420G	Decal, Housing (Reel Speed)
**	NLA	240-420G	Decal, Spool (Line Capacity)

** not shown on schematic

Original Parts REV 0

KEY NO	PUREFISHING 7 DIGIT #	Penn Part Number	DESCRIPTION
1	1180506	1-420G	HOUSING (Version 1 w/Clip Style)
21	1192634	21-420G	BEARING RETAINER C-CLIP
36	1183006	36-420	BAIL STUD SCREW changed
	1183016	36-750	BAIL STUD SCREW *** use this part

Newer Parts UP TO REV 9

KEY NO	PUREFISHING 7 DIGIT #	Penn Part Number	DESCRIPTION
1	1225193	1N-420G	HOUSING (Version 2 w/Screw Style)
21	1192635	21-430G	BEARING RETAINER Round Metal
21A	1214652	21A-420G	SCREW (2 REQUIRED)
46B	1235665	46A-420	RETAINING PLATE SCREW (for ROTOR NUT)
95B	1235666	95B-420	RETAINING PLATE (for ROTOR NUT)

98B	1192209	98B-420G	BEARING
98S	1192224	98S-420G	CLUTCH BEARING SLEEVE

98C ASSEMBLY REPLACES 98B and 98S

98C	1182213	98C-420G	CLUTCH BEARING ASSEMBLY
-----	---------	----------	-------------------------

Handle (Sub components may become unavailable)

15	1181468	15-420G	HANDLE ASSEMBLY
15C	1181550	15C-650	HANDLE PIVOT SCREW
15G	--	15G-420G	HANDLE PIVOT
16	1191194	16-420G	HANDLE COLLAR

MYSTIC REEL PARTS REVISION!

NOTE: Many of www.mysticparts.com schematics include changes that were either made by Penn, or errors found and corrected by our parts dept.
MRP Ver. 101922 (Based on Penn's Rev. 9 9-10-10)