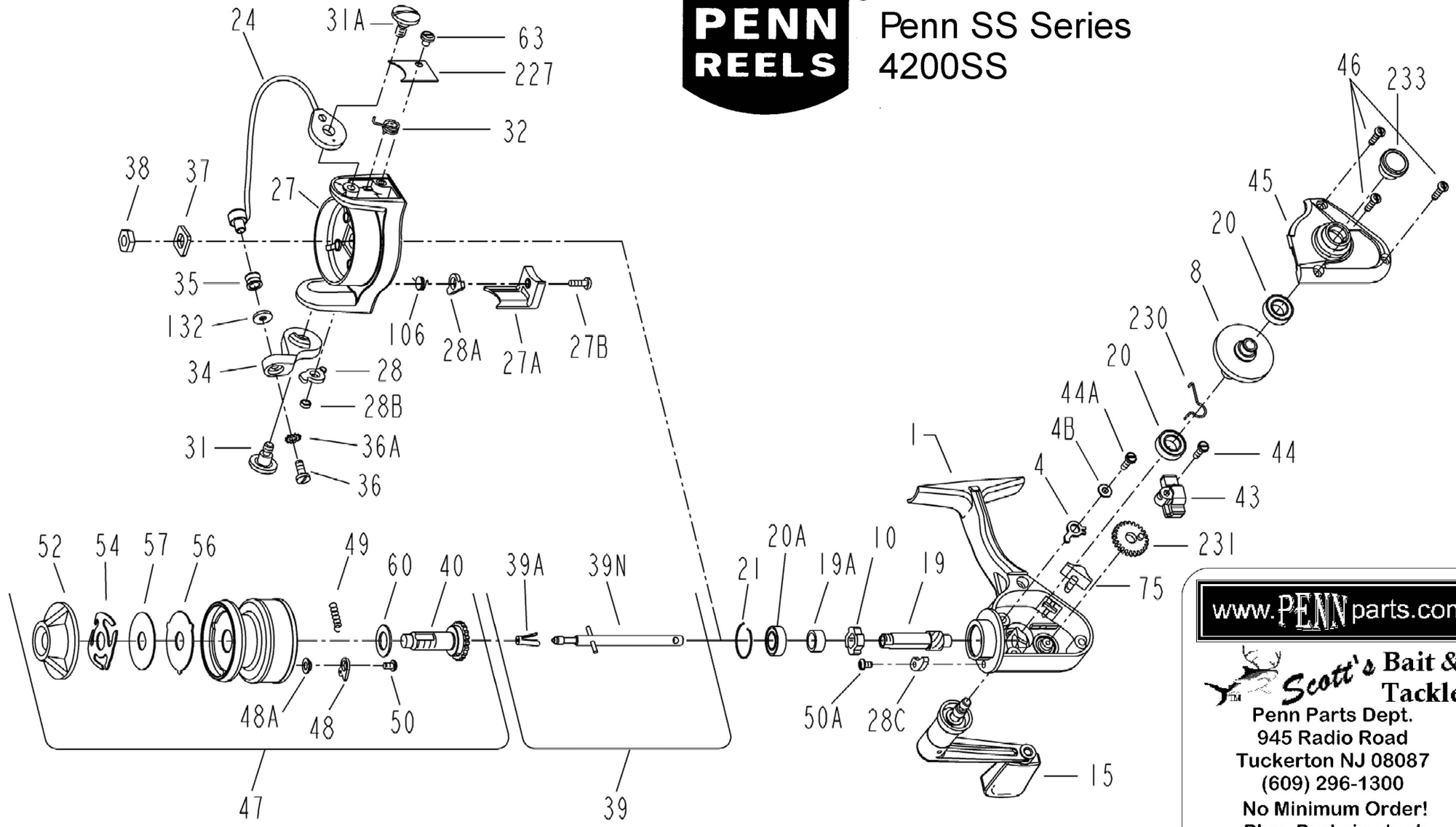




# Penn SS Series 4200SS



[www.PENNparts.com](http://www.PENNparts.com)

**Scott's Bait & Tackle**  
 Penn Parts Dept.  
 945 Radio Road  
 Tuckerton NJ 08087  
 (609) 296-1300  
 No Minimum Order!  
 Plus, Parts in stock  
 that Penn doesn't  
 carry anymore.

## Penn Reel Parts list for:

Model: 4200SS

KEY PART			KEY PART		
NO	NO.	DESCRIPTION	NO	NO.	DESCRIPTION
1	1-4200	HOUSING	38	38-720	ROTOR CUP NUT
4	4-4200	DOG	40	40-4200	SPOOL SLEEVE COMPLETE
4B	4B-4200	DOG LEVER BUSHING	43	43-4200	CROSSWIND BLOCK
8	8-4200	MAIN GEAR ASSEMBLY	44	44-4200	CROSSWIND BLOCK SCREW
10	10-4200	RATCHET	44A	46A-4300	DOG SCREW
15	15-4200	HANDLE (COMPLETE)	45	45-4200	HOUSING COVER
19	19-4200	PINION	46	46-4300	HOUSING COVER SCREW (3 REQ.)
19A	19A-4200	PINION SPACER	47	47-4200	SPOOL (COMPLETE)
20	20-4200	BALL BEARING (MAIN GEAR)	48	48N-4300	CLICK TONGUE
20A	55-4200	BALL BEARING (PINION)	48A	48A-4300	CLICK TONGUE WASHER
21	21-4200	BERING LOCK RING	49	49-4300	CLICK SPRING
24	24-4200	BAIL WIRE ASSEMBLY	50	63A-2.5FR	CLICK SPRING SCREW
27	27-4200	ROTOR CUP	50A	46A-4300	TRIP CAM SCREW
27A	27A-4200	BAIL TRIP COVER	52	52-716	DRAG KNOB
27B	27B-420	BAIL TRIP COVER SCREW	54	54-4200	DRAG SPRING
28	28-420	TRIP LEVER	56	56-4200	DRAG WASHER HT 100
28A	28A-440	CAM LEVER	57	57-4200	DRAG WASHER-METAL
28B	28B-4200	TRIP LEVER BUSHING	60	60-716	SPOOL SLEEVE WASHER
28C	28C-4200	TRIP CAM	63	63-500S	BAIL SPRING COVER SCREW
31	31-420	BAIL ARM SCREW	75	75-4200	ECCENTRIC BUTTON
31A	31A-420	BAIL CAM SCREW	106	106-5500	CAM LEVER SPRING
32	32-420	BAIL SPRING	132	132-420	ROLLER WASH
34	34-420	BAIL ARM	227	227-4300	BAIL SPRING COVER
35	35-420	LINE ROLLER	230	230-4200	FRICTION DOG SPRING
36	36-420	BAIL STUD SCREW	231	231-4200	CROSSWIND GEAR
36A	36A-750	LOCK WASHER	233	233-4200	BEARING COVER
37	37-420	ROTOR CUP WASHER			

NOTE: Many of [www.pennparts.com](http://www.pennparts.com) schematics include changes that were either made by Penn, or errors found and corrected by our parts dept.

SBT VER. 051212

### ORIGINAL SHAFT

39 39-4200 SPOOL SHAFT  
This had metal flange at tip  
that is part of the shaft

### NEWER SHAFT

39A 39A-4300 SPOOL RETAINER  
39N 39N-4200 SPOOL SHAFT  
Newer design, the metal flange is changed  
to a replaceable plastic flange.  
NOTE: Shaft INCLUDES plastic flange