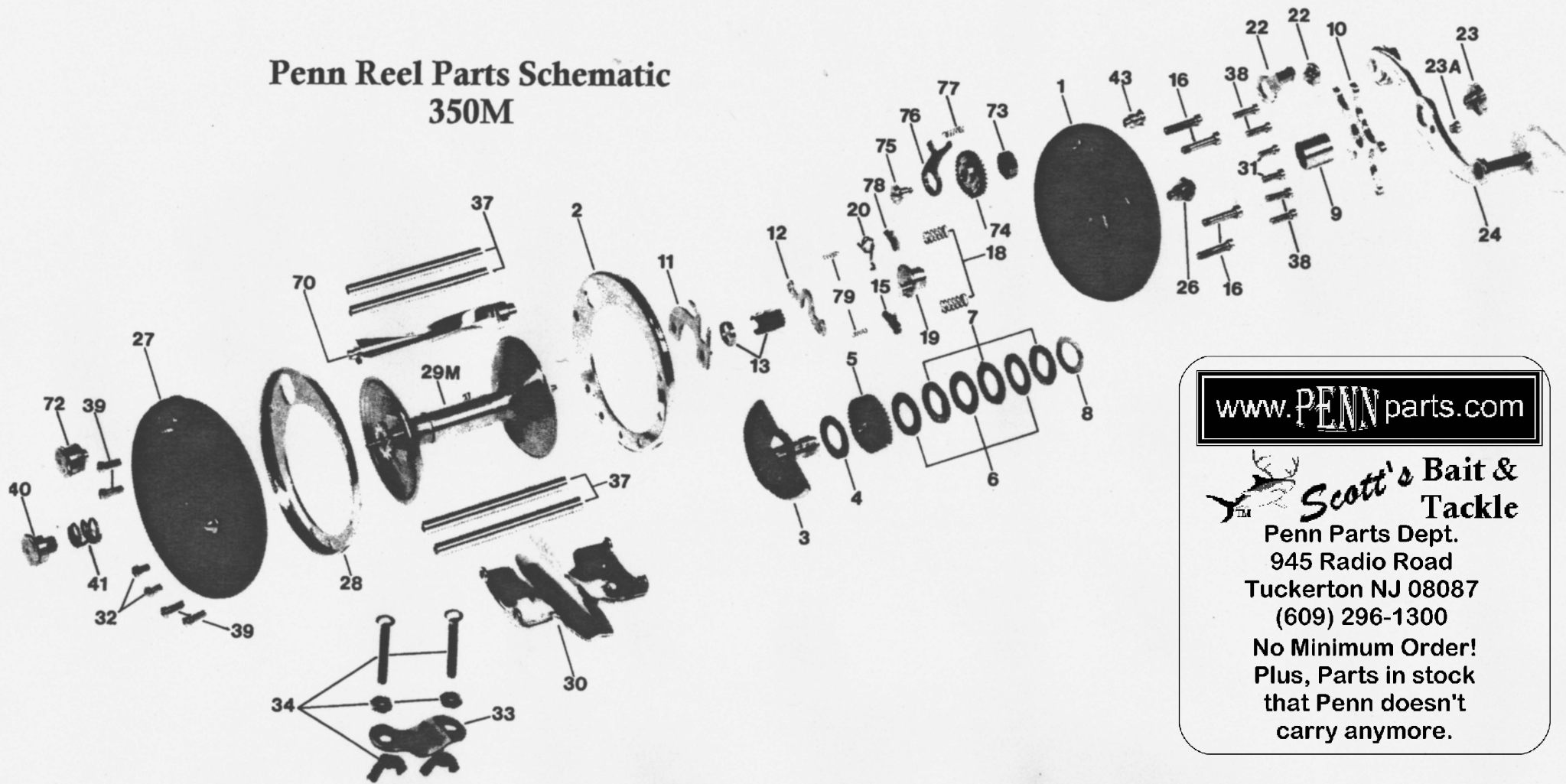


# Penn Reel Parts Schematic 350M



[www.PENNparts.com](http://www.PENNparts.com)

**Y<sup>TM</sup> Scott's Bait & Tackle**

Penn Parts Dept.  
945 Radio Road  
Tuckerton NJ 08087  
(609) 296-1300

No Minimum Order!  
Plus, Parts in stock  
that Penn doesn't  
carry anymore.

**Penn Reel Parts list for: Model: 350M**

KEY PART			KEY PART		
NO	NO.	DESCRIPTION	NO	NO.	DESCRIPTION
1	1-350	RIGHT SIDE PLATE	26	26-155	RIGHT SIDE BEARING
2	2-350	RIGHT SIDE RING	27	27-350	LEFT SIDE PLATE
3	3-155	BRIDGE W/ SLEEVE	28	28-350	LEFT SIDE RING
4	4-155	FIBER WASHER	29M	29L-200	SPOOL
5	5-155	MAIN GEAR	30	30-200	STAND
6	6-155	DRAG WASHERS (3 REQ.)	31	32-14CH	RIGHT SIDE STAND SCREW (OLD# 31-285)
7	7c-155	METAL WASHER SET	32	32-16CH	LEFT SIDE STAND SCREW (OLD# 32-155)
8	8-60	TENSION SPRING	33	33-200	ROD CLAMP
9	9-60	SPACING SLEEVE	34	34C-200	ROD CLAMP SCREW w/nuts
10	10-60	STAR DRAG WHEEL		34-200	ROD CLAMP SCREW (only)
11	11-155	ECCENTRIC JACK	37	37-155	FRAME POST
12	12-155	PINION YOKE	38	39-5	RIGHT SIDE POST SCREW
13	13-200	PINION	39	39-4	LEFT SIDE POST SCREW
14	14-99	DOG SPRING	40	40-60	LEFT SIDE BEARING
15	15-209	DOG	41	41-60	LEFT SIDE BEARING SPRING
16	16-60	LOWER BRIDGE SCREW	43	43-109	RIGHT SIDE SPIRAL BEARING
17	17-60	UPPER BRIDGE SCREW	70	70-350	SPIRAL BAR
18	18-60	CLUTCH SPRING	72	72-350	LEFT SIDE SPIRAL BEARING
19	19N-350	ECCENTRIC	73	73-350	SPIRAL GEAR
20	20-155	ECCENTRIC SPRING	74	74-350	CAM GEAR
21	21-285	ECCENTRIC LEVER	75	75-350	CAM GEAR SCREW
22	22-99	ECCENTRIC SCREW	76	76-350	SPIRAL DRIVE DOG
23	23-60	HANDLE SCREW	77	14-109	SPIRAL DRIVE DOG SPRING
23A	110-60	HANDLE LOCK SCREW	78	78-350	SPIRAL GEAR DOG
24	24-155	HANDLE	79	14-99	SPIRAL GEAR DOG SPRING

NOTE: Many of [www.pennparts.com](http://www.pennparts.com) schematics include changes that were either made by Penn, or errors found and corrected by our parts dept.  
 SBT Ver. 041010