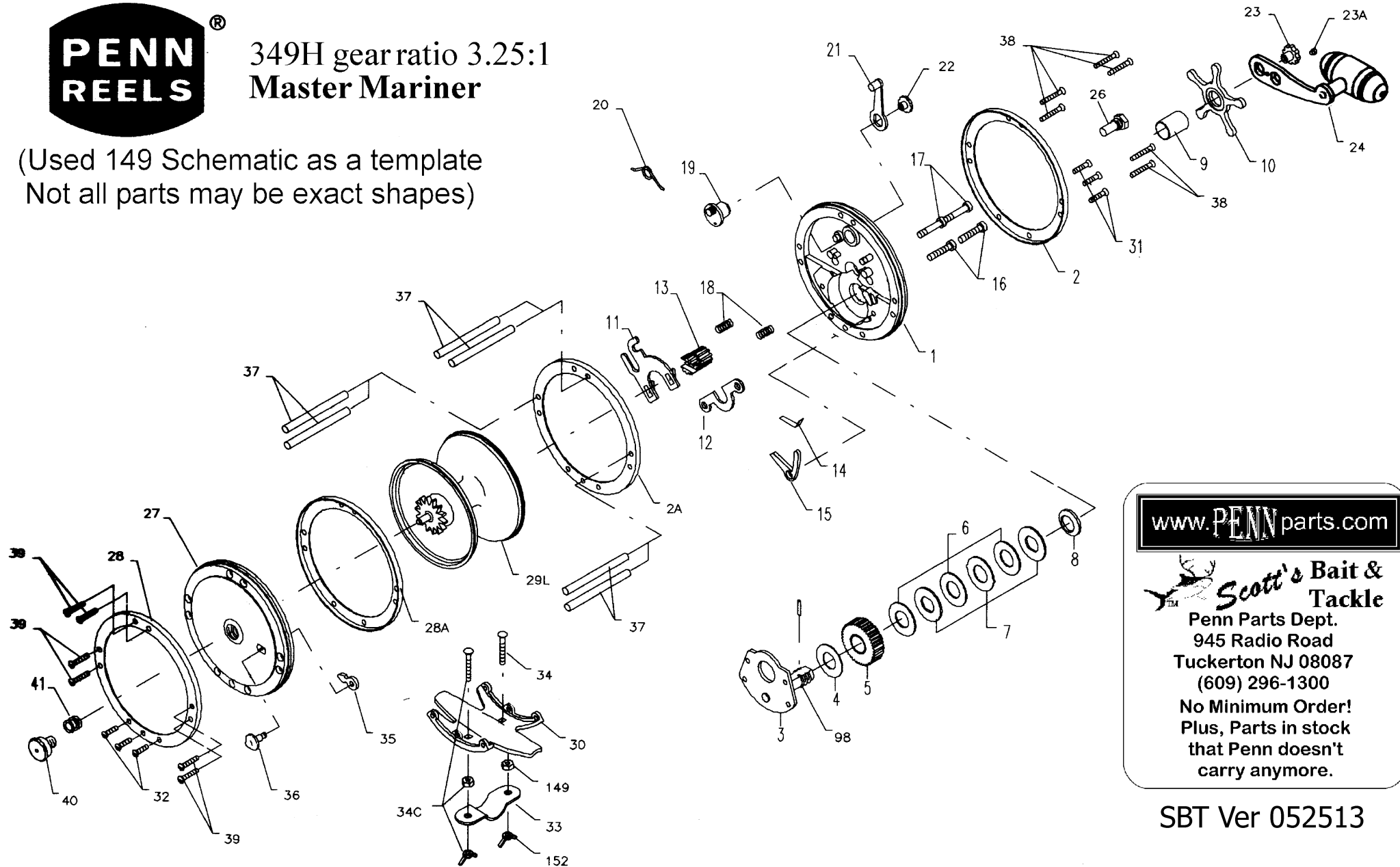


# 349H gear ratio 3.25:1 Master Mariner

(Used 149 Schematic as a template  
Not all parts may be exact shapes)



[www.PENNparts.com](http://www.PENNparts.com)

**Scott's Bait & Tackle**

Penn Parts Dept.  
945 Radio Road  
Tuckerton NJ 08087  
(609) 296-1300

No Minimum Order!  
Plus, Parts in stock  
that Penn doesn't  
carry anymore.

SBT Ver 052513

# Penn Reel Parts list for Model: 349H Master Mariner

3.25:1 gear ratio vs 349 at 2.33:1

KEYPART			KEYPART		
NONO.	DESCRIPTION		NONO.	DESCRIPTION	
1	1-349H	R.S. PLATE	22	22-60CH	ECCENTRIC SCREW
2	2-349	R.S. RING	23	23-114	HANDLE SCREW
3	3-349	BRIDGE W/ SLEEVE	23A	110-60	HANDLE LOCK SCREW
4	4-349	FIBER WASHER	24	24-349H	COMPLETE HANDLE
5	5-349H	MAIN GEAR	25	25-114	KNOB, RIVET & OILER
6	6-349H	DRAG WASHER	26	26-349	R.S BEARING
7	7-349H	METAL DISC SET	27	27-349H	L.S. PLATE
8	8-349	TENSION SPRING	28	28-349	L.S. RING
9	9-349	SPACING SLEEVE	29M	29M-349	METAL SPOOL
10	10-349	STAR DRAG	30	30-349	STAND
11	11-349	ECCENTRIC JACK	31 + 32	32-18	STAND SCREWS (6 REQUIRED)
12	12-349H	PINION YOKE	33	33-49	ROD CLAMP
13	13-349H	PINION GEAR	34	34C-49	CLAMP SCREW W/ NUTS
14	14-349	DOG SPRING	35	35-114	CLICK TONGUE
15	15-349	DOG	36	36-114H	CLICK BUTTON
16	16-60CH	LOWER BRIDGE SCREW	37	37-49	FRAME POST
17	17-60CH	UPPER BRIDGE SCREW	38 + 39	39-9	POST SCREWS (12 REQUIRED)
18	18-349	CLUTCH SPRING	40	40-349	L.S. BEARING
19	19-60	ECCENTRIC	41	41-349	L.S. BEARING SPRING
20	20-60L	ECCENTRIC SPRING	98	98-349	BRIDGE SLEEVE
21	21-49	ECCENTRIC LEVER			

NOTE: Many of [www.pennparts.com](http://www.pennparts.com) schematics include changes that were either made by Penn, or errors found and corrected by our parts dept.  
SBT Ver. 052513