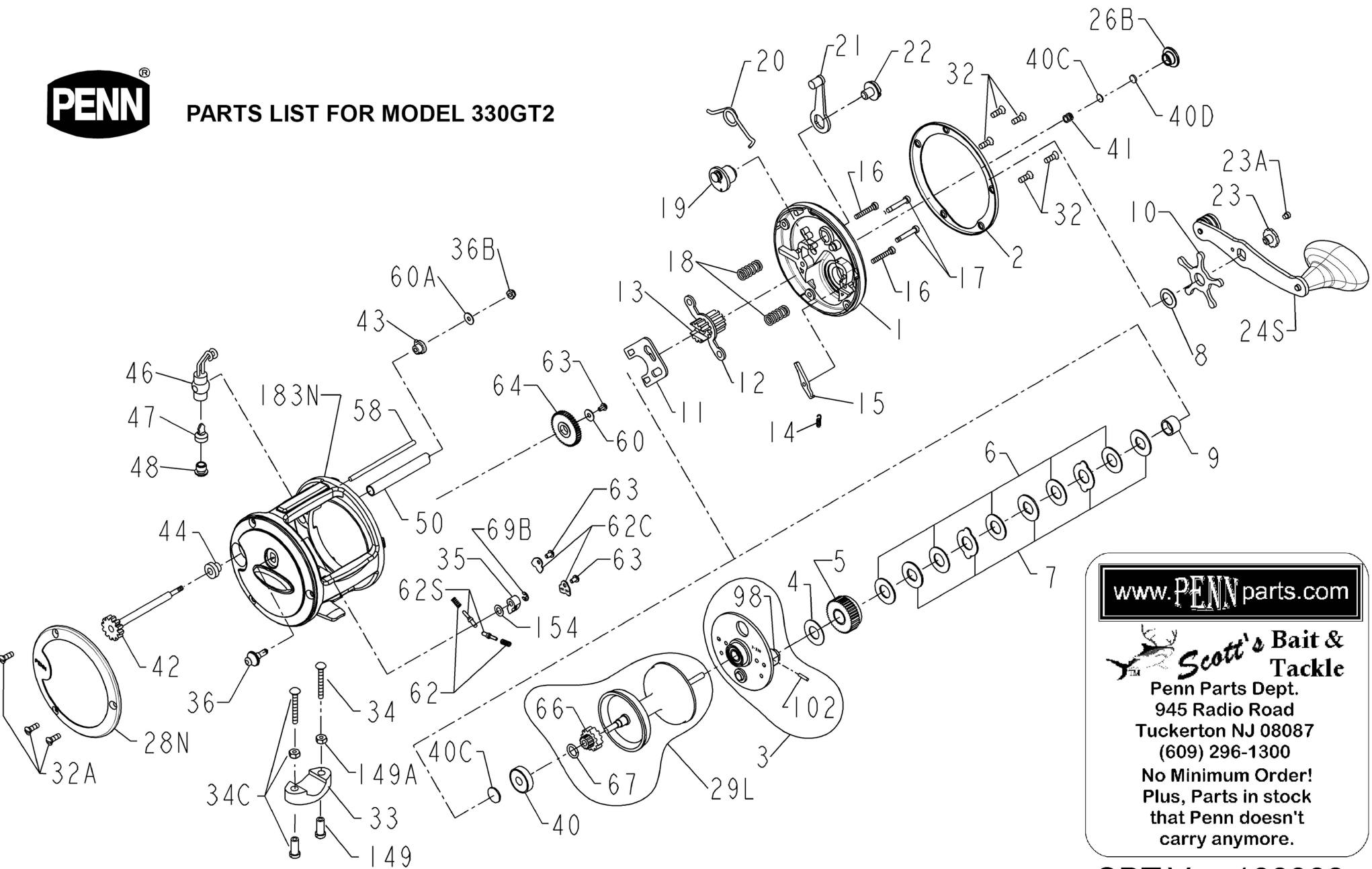




PARTS LIST FOR MODEL 330GT2



NOTE: NOT ALL PARTS AT THE SAME SCALE

www.PENNparts.com

Scott's Bait & Tackle
 Penn Parts Dept.
 945 Radio Road
 Tuckerton NJ 08087
 (609) 296-1300
 No Minimum Order!
 Plus, Parts in stock
 that Penn doesn't
 carry anymore.

SBT Ver. 100308
(based on Penn's Rev 3 - 7/15/08)

Penn Reel Parts list for:

Model: 330GT2

KEY PART NO	PART NO.	DESCRIPTION	KEY PART NO	PART NO.	DESCRIPTION
1	1-330	RIGHT SIDE PLATE	*	33R-200	RINGED ROD CLAMP (OPTIONAL)
2	2-330	RIGHT SIDE RING	34	34-45	CLAMP SCREW ONLY
3	3-330	BRIDGE ASSEMBLY	34C	34C-45	CLAMP SCREW W/ NUTS
4	4-349	FIBER WASHER	35	35-310N	CLICK TONGUE
5	5N-320	MAIN GEAR	36	36-330	CLICK BUTTON
6	6-320	FRICTION DRAG WASHER (5 REQUIRED)	36B	36-700	WORM SHAFT NUT
**	7-970	METAL DRAG WASHER - TITTED	40	40-320	BALL BEARING
7	7C-330	METAL DRAG WASHER (SET OF 5)	40C	40C-320	METAL THRUST WASHER (2 REQUIRED)
8	8-349	TENSION SPRING	40D	40D-320	RUBBER THRUST WASHER
9	9-320	SPACING SLEEVE	41	41-330	RIGHT SIDE THRUST SPRING
10	10-349	STAR DRAG	42	42-330N	WORM
11	11-330	ECCENTRIC JACK	43	43-330	RIGHT SIDE WORM BEARING
12	12-60	PINION YOKE	44	44-330	LEFT SIDE WORM BEARING
13	13N-330	PINION GEAR	46	46-330N	LINE GUIDE CARRIAGE
14	14-330	DOG SPRING	47	47-975	PAWL
15	15-330	DOG	48	48-330N	PAWL COVER SCREW
16	16-113H	LOWER BRIDGE SCREW (2 REQUIRED)	50	50T-330	WORM SHEILD
17	17-113H	UPPER BRIDGE SCREW (2 REQUIRED)	58	58-330	LINE WORM POST
18	18-60	CLUTCH SPRING (2 REQUIRED)	60	60-320	IDLER GUIDE WASHER
19	19-330	ECCENTRIC CAM	60A	60-320	WORM BEARING WASHER
20	20-155	ECCENTRIC SPRING	62	62A-310	CLICK SPRING (2 REQUIRED)
21	21-309	ECCENTRIC LEVER ASSEMBLY	62C	62C-321LH	CLICK SPRING COVER (2 REQUIRED)
22	22-60CH	ECCENTRIC SCREW	62S	62S-310	CLICK PIN (2 REQUIRED)
23	23-114	HANDLE ASSEMBLY SCREW	63	63-500S	IDLER GEAR SCREW
23A	110-60	HANDLE LOCK SCREW	64	64-330	IDLER GEAR
24	24S-225	HANDLE ASSEMBLY	66	66-320	SPOOL GEAR CLICK RATCHET
26B	26B-330	SPOOL TENSION CONTROL CAP	67	67-9	SPOOL GEAR LOCK RING
28	28N-330	LEFT SIDE RING	69B	69B-600	RETAINING RING CLICK BUTTON
29L	29L-330	ALUMINUM SPOOL	**	86-970	METAL DRAG WASHER - SMOOTH
32	32-17	R.S. PLATE SCREW	98	98-320	GEAR SLEEVE
32A	32-310	L.S. RING SCREW (3 REQUIRED)	149	149-45	CLAMP NUT ONLY
33	33N-113	ROD CLAMP	149A	149-200	HEX NUT ONLY
			154	154-117	CLICK BUTTON WASHER
			183N	183N-330	FRAME

NOTE: Many of www.pennparts.com schematics include changes that were either made by Penn, or errors found and corrected by our parts dept.

SBT Ver. 100308 (based on Penn's Rev.3- 7/15/08)