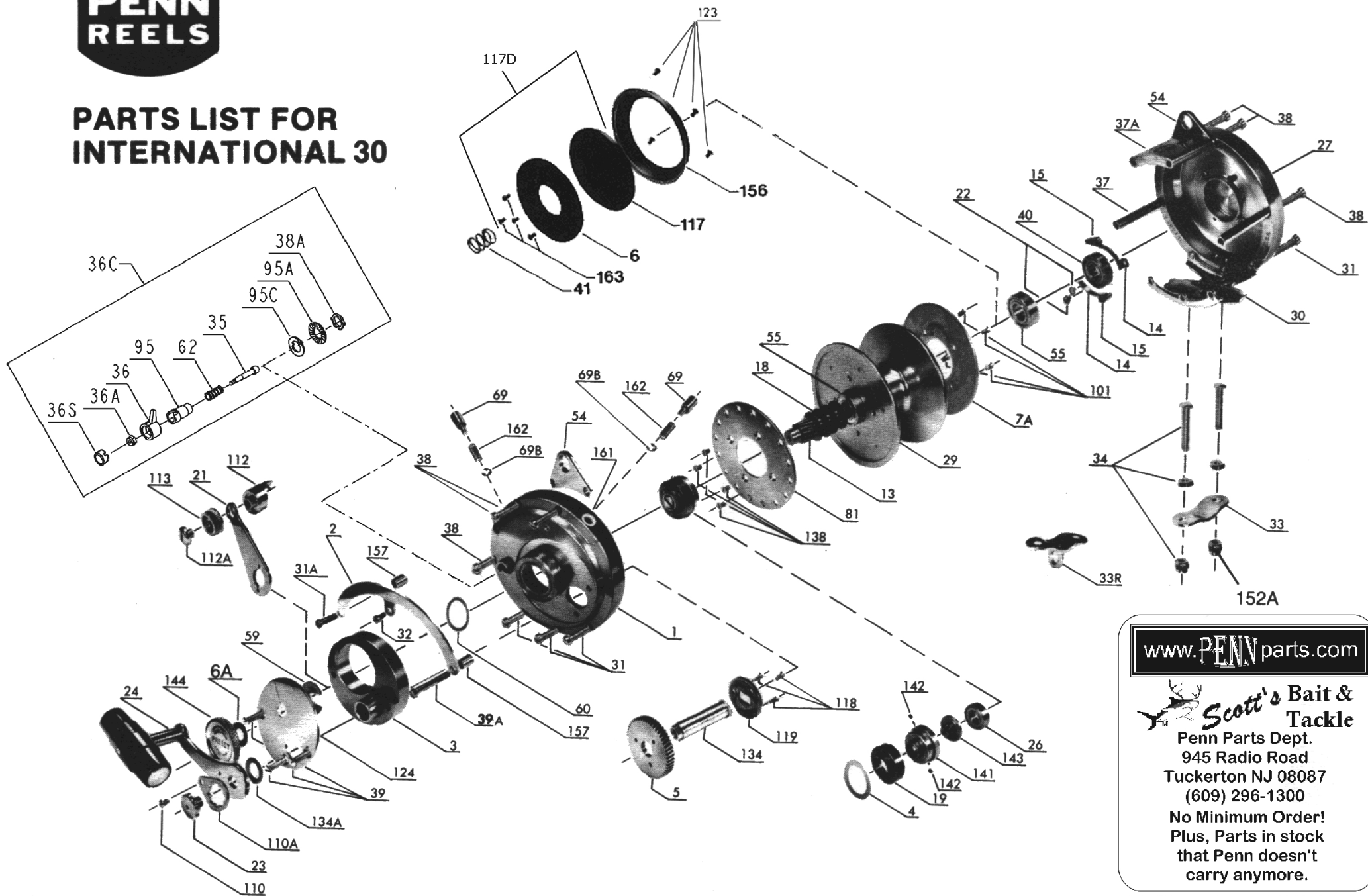




PARTS LIST FOR INTERNATIONAL 30



www.PENNparts.com

Scott's Bait & Tackle
Penn Parts Dept.
945 Radio Road
Tuckerton NJ 08087
(609) 296-1300
No Minimum Order!
Plus, Parts in stock
that Penn doesn't
carry anymore.

SBT Ver 100816

Penn Reel Parts list for Model: 30 International

KEY NO	PART NO.	DESCRIPTION	KEY NO	PART NO.	DESCRIPTION
1	1-30	RIGHT SIDE PLATE ASSEMBLY	34	34C-200	ROD CLAMP SCREW W/NUTS
2	2-30	QUADRANT RING	37	37-30	FRAME POST
3	3-30	BRIDGE	37A	37A-30	SPACER BAR
4	4-30	CAM THRUST WASHER	38	38-50	POST SCREWS (7 Req.)
5	5-50	MAIN GEAR	39	39-12	BRIDGE CREWS (3 Req.)
6	6/1-30	DRAG WASHER	39A	39-50	SPECIAL POST SCREW
6A	6/1-155	SPACER WASHER	40	55-80	LEFT SIDE BEARING
7A	7A-30	METAL DRAG WASHER	41	41-50	LEFT SIDE BEARING SPRING
9	9-30	SPACING SLEEVE N/S	54	54-50	HARNES LUGS (2 Req.)
13	13-30	PINION GEAR	55	20-704	SPOOL BEARINGS (2 Req.)
14	14-50	DOG SPRING	59	59-50	SLOTTED WASHER
15	15-50	DOG	60	60-50	BACKING WASHER
18	18-20	DISC CLUTCH SPRING	69	69-50	LOCATING PIN
18A	95A-20	CLICK BUSHING WASHER	69B	69B-50	RETAINING RING
19	19-30	ECCENTRIC CAM	81	81-50	RATCHET
21	21-30	ECCENTRIC CAM LEVER	101	101-30	METAL DRAG WASHER SCREWS (4 Req.)
22	22-109	DOG SPRING SCREW	110	110-50	HANDLE LOCK SCREW
23	23-114	HANDLE SCREW	110A	110A-50	HANDLE LOCKING PLATE
24	24-30TW	HANDLE COMPLETE	112	112-50	ECCENTRIC LEVER KNOB
26	20-704	RIGHT SIDE BEARING	112A	112A-50	ECCENTRIC KNOB SCREW
27	27-30	L.S. PLATE ASSEMBLY	113	113-50	ECCENTRIC LEVER CAP
29	29L-30	SPOOL	117	117-30	DRIVE PLATE
30	30-30	STAND	117D	117DN-30	DRIVE PLATE ASSEMBLY
31	31-20	STAND SCREW (6 Req.)	118	38-7	MAIN GEAR PLATE SCREWS (3 Req.)
31A	31-20	QUADRANT SCREW	119	119-50	MAIN GEAR PLATE
32	32-14	CENTER QUADRANT SCREW	123	123-50	DRAG COVER SCREWS (4 Req.)
33	33-200	ROD CLAMP	124	124-30	BRIDGE COVER
33R	33R-200	RINGED ROD CLAMP	134	134-50	GEAR STUD

134A	134/1-50	GEAR STUD WASHER	152A	152A-50	ROD CLAMP ACORN NUT
138	101-30	RATCHET SCREWS (4Req.)	156	156-30	DRAG COVER
141	141-30	CAM FOLLOWER	156A	156A-30	GASKET F/DRAG COVER
142	142-50	CAM FOLLOWER PIN (2 Req.)	157	157-50	QUADRANT SPACER BUSHING (2 Req.)
143	143-30	ADJUSTING SCREW	161	161-50	LOCATING PIN BUSHING
144	144-50	PRESET KNOB	162	162-30	LOCATING PIN SPRING
149	149-200	ROD CLAMP HEX NUT	163	101-30	DRIVE PLATE SCREW

NOTE: Many of www.pennparts.com schematics include changes that were either made by Penn, or errors found and corrected by our parts dept.
SBT Version 100816

*154 154-30 Shim, Spool Shaft ***NOT SHOWN**

<u>OLDER DESIGN</u>			<u>NEWER DESIGN</u>		
35	35-50	CLICK TONGUE (Old# 35/1-50)	35	35-50N	CLICK TONGUE
36	36-50	CLICK BUTTON (Old# 36/1-50)	36	36N-50	CLICK BUTTON
36A	36-700	CLICK BUTTON NUT	36A	36-700	CLICK BUTTON NUT
		N/A	36S	36S-80ST	CLICK BUTTON CAP
38A	38-710	CLICK BUSHING NUT	38A	38-710	CLICK BUSHING NUT
62	62-50	CLICK SPRING	62	62-50	CLICK SPRING
95	95-50	CLICK TONGUE BUSHING	95	95-50	CLICK TONGUE BUSHING
		N/A	95A	95A-20	CLICK BUSHING WASHER
		N/A	95C	95A-50	CLICK BUSHING WASHER
		N/A	**	36C-50	CLICK BUTTON COMPLETE ASSEMBLY **

NOTES: The 36C-50 click button assembly can be used on the older plates
There are photos of the plates and clicker parts in the www.pennparts.com website for comparison
Diameter changed on button and tongue