

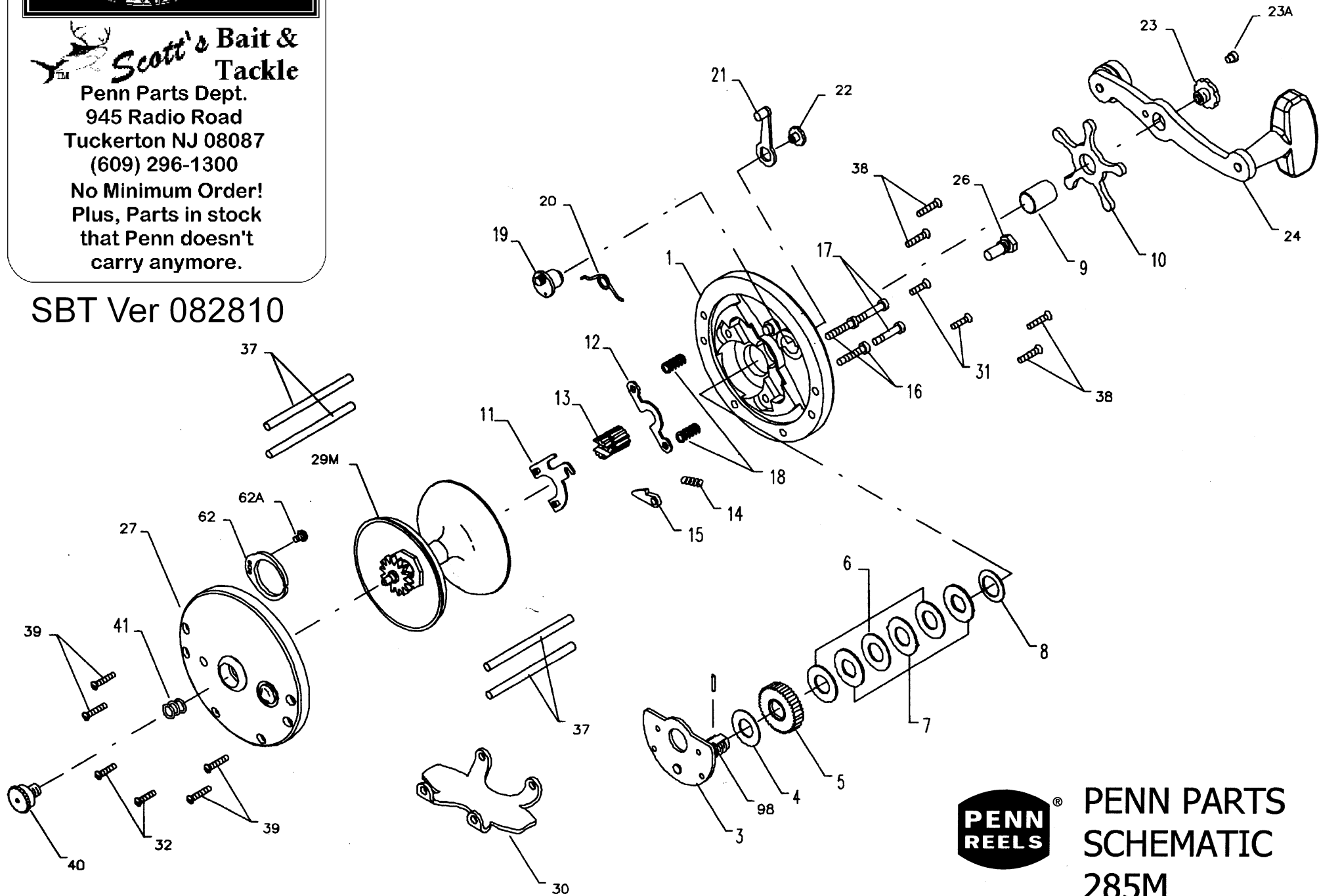
www.PENNparts.com

Scott's Bait & Tackle

Penn Parts Dept.
945 Radio Road
Tuckerton NJ 08087
(609) 296-1300

No Minimum Order!
Plus, Parts in stock
that Penn doesn't
carry anymore.

SBT Ver 082810



**PENN PARTS
SCHEMATIC
285M**

Penn Reel Parts list for:**Model: 285M****DELMAR**

KEY PART			KEY PART		
NO	NO.	DESCRIPTION	NO	NO.	DESCRIPTION
1	1-285	RIGHT SIDE PLATE	21	21-285	ECCENTRIC LEVER
3	3-66	BRIDGE W/ SLEEVE	22	22-60CH	ECCENTRIC SCREW
4	4-60	FIBER WASHER	23	23-60	HANDLE SCREW
5	5-60	MAIN GEAR	23A	110-60	HANDLE LOCK SCREW
6	6-60	DRAG WASHER (3 REQ.)	24	24-155	HANDLE
7	7C-60	METAL WASHER SET	26	26-60	R.S. BEARING
8	8-60	TENSION SPRING	27	27-285	LEFT SIDE PLATE WITH CLICKER
9	9-60	SPACING SLEEVE	29	29L-85	SPOOL
10	10-60	STAR DRAG WHEEL	30	30-60	STAND
11	11-60	ECCENTRIC JACK	31	32-16CH	R.S. STAND SCREW
12	12-60	PINION YOKE	32	32-22	L.S. STAND SCREW
13	13-85	PINION	37	37-60	FRAME POST
14	14-99	DOG SPRING	38	38-8	R.S. POST SCREW
15	15-99	DOG	39	32-16CH	L.S. POST SCREW
16	16-60CH	LOWER BRIDGE SCREW	40	40-60	L.S. BEARING
17	17-60CH	UPPER BRIDGE SCREW	41	41-60	L.S. BEARING SPRING
18	18-60	CLUTCH SPRING	62	62-309	CLICK SPRING
19	19-60	ECCENTRIC	62A	63-209	CLICK SPRING SCREW
20	20-60L	ECCENTRIC SPRING	98	98-60	GEAR SLEEVE

NOTE: Many of www.pennparts.com schematics include changes that were either made by Penn, or errors found and corrected by our parts dept.

SBT Ver. 082810