



250 Surfmaster

Schematic built using
200 Schematic as template

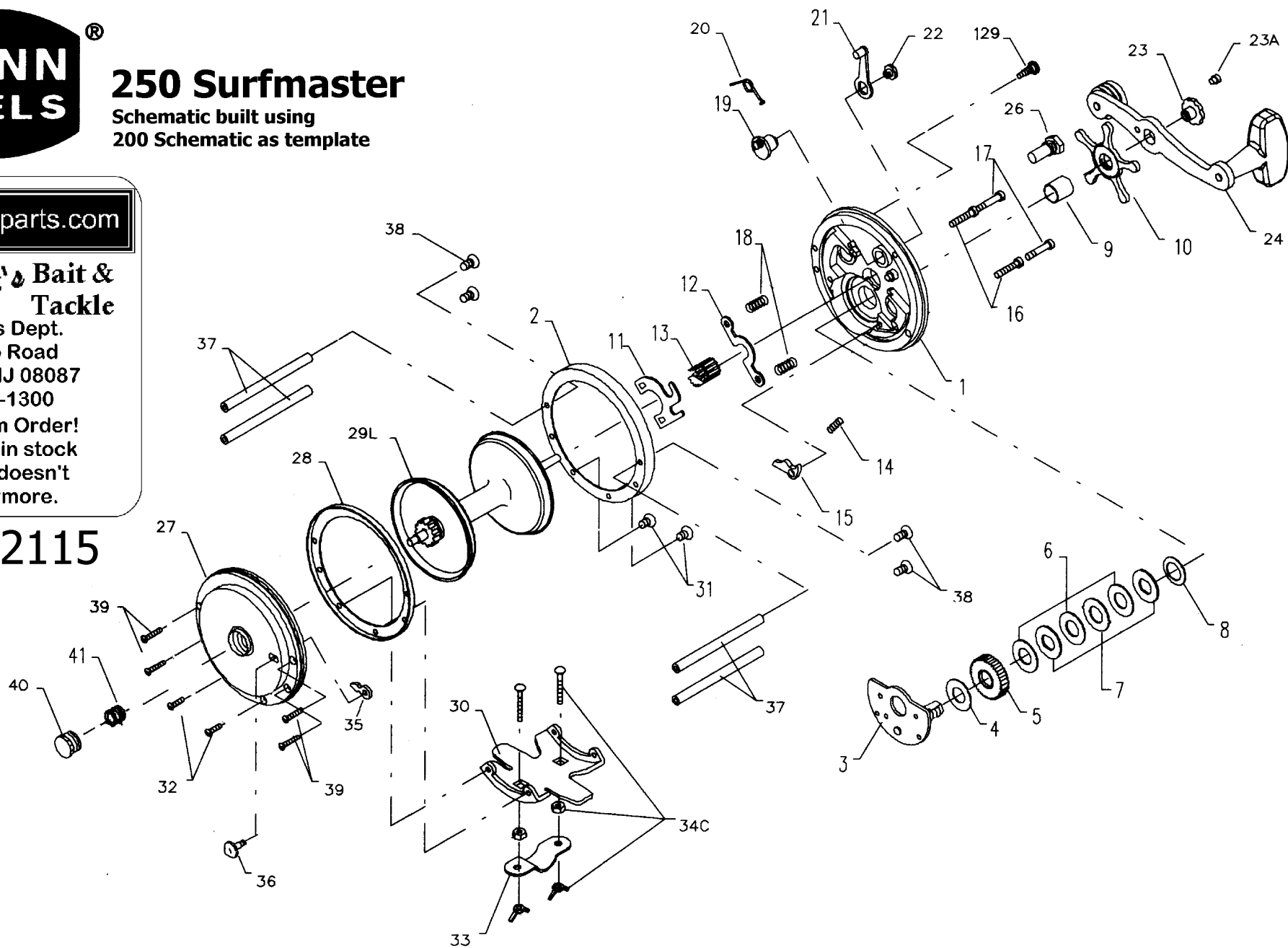
www.PENNparts.com

Scott's Bait & Tackle

Penn Parts Dept.
945 Radio Road
Tuckerton NJ 08087
(609) 296-1300

No Minimum Order!
Plus, Parts in stock
that Penn doesn't
carry anymore.

SBT 022115



Penn Reel Parts list for Model: 250 Surfmaster

KEYPART		DESCRIPTION	KEYPART		DESCRIPTION
NONO.			NONO.		
1	1-250	HANDLE SIDE PLATE	22	22-99	ECCENTRIC SCREW
2	2-250	HANDLE SIDE RING	23	23-60	HANDLE SCREW
3	3-99	BRIDGE W/ SLEEVE	23A	110-60	HANDLE LOCK SCREW (Old #23A-60)
4	4-60	FIBER WASHER	24	24-155	COMPLETE HANDLE
5	5-60	MAIN GEAR	**	25-155	TORPEDO? KNOB, RIVET & OILER (OLD 25-60)
6	6-60	DRAG WASHER	26	26-155	R.S BEARING
7	7-60	METAL DISC SET	27	27-250	NON-HANDLE SIDE PLATE
8	8-60	TENSION SPRING	28	28-250	NON-HANDLE SIDE RING
9	9-60	SPACING SLEEVE	29	29-250	PLASTIC SPOOL
10	10-60	STAR DRAG	29M	29M-250	METAL SPOOL
11	11-99	ECCENTRIC JACK	30	30-200	STAND
12	12-500	PINION YOKE	31	31-19	HANDLE SIDE STAND SCREW (Old# 31-200)
13	13-140	PINION (replaces old 13-99)	32	32-16CH	NON-HANDLE SIDE STAND SCREW (Old# 31-285)
14	14-60	DOG SPRING	33	33-200	ROD CLAMP
15	15-60	DOG	34	34C-200	CLAMP SCREW W/ NUTS
16	16-60CH	LOWER BRIDGE SCREW	35	35-60	CLICK TONGUE
17	17-60CH	UPPER BRIDGE SCREW	36	36-60	CLICK BUTTON
18	18-60	CLUTCH SPRING	37	37-155	FRAME POST
19	19-250	ECCENTRIC (Old #19-99)	38	38-7	HANDLE SIDE POST SCREW (Old# 38-200)
20	20-60L	ECCENTRIC SPRING	39	39-5	NON-HANDLE SIDE POST SCREW (Old# 31-60)
21	21-66	ECCENTRIC LEVER	40	40-60	NON-HANDLE SIDE BEARING
			41	41-60	NON-HANDLE SIDE BEARING SPRING
	** = NOT SHOWN		129	129-200	TAKE-APART THUMB SCREW

NOTE: Many of www.pennparts.com schematics include changes that were either made by Penn, or errors found and corrected by our parts dept.
SBT Ver. 022115