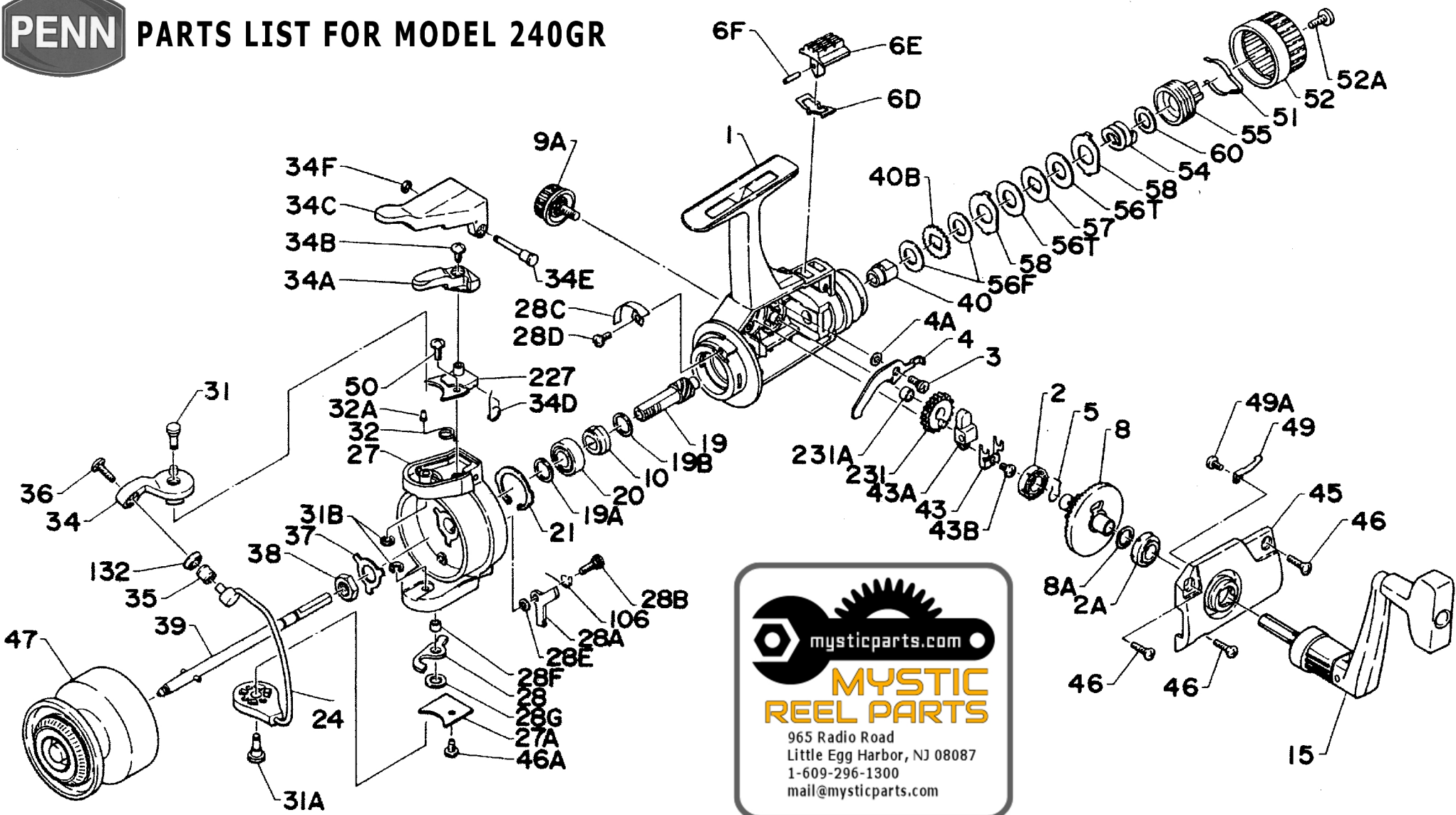




PARTS LIST FOR MODEL 240GR



mysticparts.com
MYSTIC REEL PARTS
 965 Radio Road
 Little Egg Harbor, NJ 08087
 1-609-296-1300
 mail@mysticparts.com

MRP Ver. 080318

Penn Reel Parts list for Model: 240GR

KEY PART			KEY PART		
NO	NO.	DESCRIPTION	NO	NO.	DESCRIPTION
1	1-240	HOUSING	34B	34B-240	BAIL ARM LEVER MTG. SCREW
2A	2A-240	COVER BUSHING	34C	34C-240	TRIGGER
3	3-240	DOG MOUNTING SCREW	34D	34D-240	TRIGGER SPRING
4	4-240	DOG	34E	34E-240	TRIGGER MTG. PIN
4A	4A-240	DOG SHIM	34F	34F-240	TRIGGER RETAINING RING
5	5-240	DOG SPRING	35	35-240	LINE ROLLER
6D	6D-240	ECCENTRIC SPRING	36	36-240	ROLLER MTG. SCREW
6E	6E-240	ECCENTRIC LEVER	37	37-240	ROTOR CUP WASHER
6F	6F-240	ECCENTRIC LEVER MTG PIN	38	38-240	ROTOR CUP NUT
8	8-240	MAIN GEAR	39	39-240	SPOOL SHAFT
8A	8A-240	MAIN GEAR SHIM	40	40-240	DRAG SLEEVE
9A	9A-240	STANDARD DRIVE SCREW	40B	40B-240	CLICK RATCHET
10	10-240	ANTI-REVERSE RATCHET	43	43-240	CROSSWIND ARM
15	15-240	HANDLE	43A	43A-240	CROSSWIND BLOCK
19	19-240	PINION GEAR	43B	43B-240	CROSSWIND ARM SCREW
19A	19A-240	ROTOR WASHER	45	45-240	HOUSING COVER
19B	19B-240	PINION GEAR SPACER	46	46-240	HOUSING COVER SCREW
20	20-240	BALL BEARING	46A	46A-240	ROTOR CUP COVER
21	21-240	BEARING COVER	47	47-240	SPOOL
24	24-240	BAIL	49	49-240	CLICK SPRING
27	27-240	ROTOR CUP	49A	49A-240	CLICK SPRING SCREW
27A	27A-240	ROTOR COVER	50	50-240	DRAG KNOB NUT RET. SCREW
28	28-240	TRIP LEVER	51	51-240	DRAG KNOB CLICK SPRING
28A	28A-240	CAM LEVER	52	52-240	DRAG KNOB
28B	28B-240	CAM LEVER MTG SCREW	52A	52A-240	DRAG KNOB MTG. SCREW
28C	28C-240	TRIP CAM	54	54-240	DRAG KNOB SPRING
28D	28D-240	TRIP CAM MTG. SCREW	55	55-240	DRAG KNOB NUT
28E	28E-230	CAM LEVER SHIM	56F	56F-240	DRAG WASHER FIBRE
28F	28F-240	TRIP LEVER BUSHING	56T	56T-240	DRAG WASHER (TEFLON)
28G	28G-230	TRIP LEVER SHIM	57	57-240	DRAG WASHER (KEYED)
31	31-240	BAIL ARM PIN	58	58-240	DRAG WASHER EARED
31A	31A-240	BAIL WIRE MTG. PIN	60	60-240	THRUST WASHER
31B	31B-240	RETAINING RING	106	106-240	CAM LEVER SPRING
32	32-240	BAIL SPRING	132	132-240	ROLLER WASHER
32A	32A-240	BAIL SPRING BUSHING	227	227-240	BAIL SPRING COVER
34	34-240	BAIL ARM	231	231-240	CROSSWIND GEAR
34A	34A-240	BAIL ARM LEVER	231A	231A-240	CROSSWIND GEAR BUSHING

NOTE: Many of www.pennparts.com schematics include changes that were either made by Penn, or errors found and corrected by our parts dept.
MRP Ver. 080318