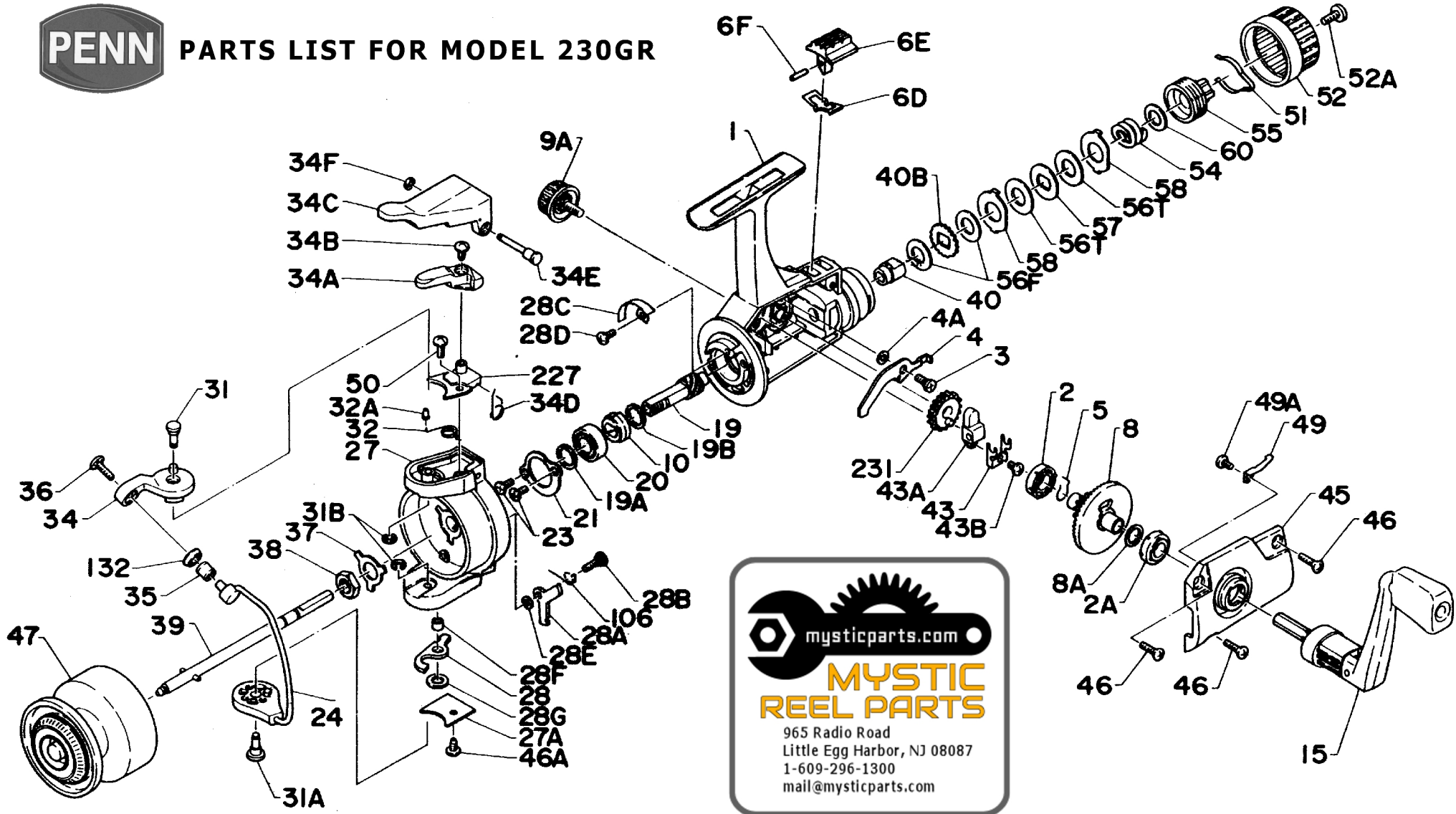




PARTS LIST FOR MODEL 230GR



mysticparts.com
MYSTIC REEL PARTS
 965 Radio Road
 Little Egg Harbor, NJ 08087
 1-609-296-1300
 mail@mysticparts.com

MRP Ver. 080318

Penn Reel Parts list for Model: 230GR

KEY PART			KEY PART		
NO	NO.	DESCRIPTION	NO	NO.	DESCRIPTION
1	1-230	HOUSING	34A	34A-230	BAIL ARM LEVER
2A	2A-230	COVER BUSHING	34B	34B-240	BAIL ARM LEVER MTG. SCREW
3	3-230	DOG MOUNTING SCREW	34C	34C-230	TRIGGER
4	4-230	DOG	34D	34D-240	TRIGGER SPRING
4A	4A-240	DOG SHIM	34E	34E-230	TRIGGER MTG. PIN
5	5-230	DOG SPRING	34F	34F-240	TRIGGER RETAINING RING
6D	6D-240	ECCENTRIC SPRING	35	35-230	LINE ROLLER
6E	6E-230	ECCENTRIC LEVER	36	36-230	ROLLER MTG. SCREW
6F	6F-240	ECCENTRIC LEVER MTG PIN	37	37-230	ROTOR CUP WASHER
8	8-230	MAIN GEAR	38	38-230	ROTOR CUP NUT
8A	8A-230	MAIN GEAR SHIM	39	39-230	SPOOL SHAFT
9A	9A-230	STANDARD DRIVE SCREW	40	40-230	DRAG SLEEVE
10	10-230	ANTI-REVERSE RATCHET	40B	40B-240	CLICK RATCHET
15	15-230	HANDLE	43	43-230	CROSSWIND ARM
19	19-230	PINION GEAR	43A	43A-230	CROSSWIND BLOCK
19A	19A-240	ROTOR WASHER	43B	43B-240	CROSSWIND ARM SCREW
19B	19B-230	PINION GEAR SPACER	45	45-230	HOUSING COVER
20	20-230	BALL BEARING	46	46-240	HOUSING COVER SCREW
21	21-230	BEARING COVER	46A	46A-240	ROTOR CUP COVER SCREW
23	23-230	BEARING COVER SCREW	47	47-230	SPOOL
24	24-230	BAIL	49	49-240	CLICK SPRING
27	27-230	ROTOR CUP	49A	49A-240	CLICK SPRING SCREW
27A	27A-230	ROTOR COVER	50	50-240	BAIL SPRING COVER SCREW
28	28-230	TRIP LEVER	51	51-230	DRAG KNOB CLICK SPRING
28A	28A-230	CAM LEVER	52	52-230	DRAG KNOB
28B	28B-240	CAM LEVER MTG SCREW	52A	52A-230	DRAG KNOB MTG. SCREW
28C	28C-240	TRIP CAM	54	54-230	DRAG KNOB SPRING
28D	28D-240	TRIP CAM MTG. SCREW	55	55-230	DRAG KNOB NUT
28E	28E-230	CAM LEVER SHIM	56F	56F-230	DRAG WASHER FIBRE
28F	28F-230	TRIP LEVER BUSHING	56T	56T-230	DRAG WASHER (TEFLON)
28G	28G-230	TRIP LEVER SHIM	57	57-230	DRAG WASHER (KEYED)
31	31-240	BAIL ARM PIN	58	58-230	DRAG WASHER EARED
31A	31A-230	BAIL WIRE MTG. PIN	60	60-230	THRUST WASHER
31B	31B-240	RETAINING RING	106	106-240	CAM LEVER SPRING
32	32-230	BAIL SPRING	132	132-230	ROLLER WASHER
32A	32A-240	BAIL SPRING BUSHING	227	227-230	BAIL SPRING COVER
34	34-230	BAIL ARM	231	231-230	CROSSWIND GEAR

NOTE: Many of www.pennparts.com schematics include changes that were either made by Penn, or errors found and corrected by our parts dept.
MRP Ver. 080318