



**PARTS LIST FOR MODEL 209LH**

REEL ASM. No. 1152033

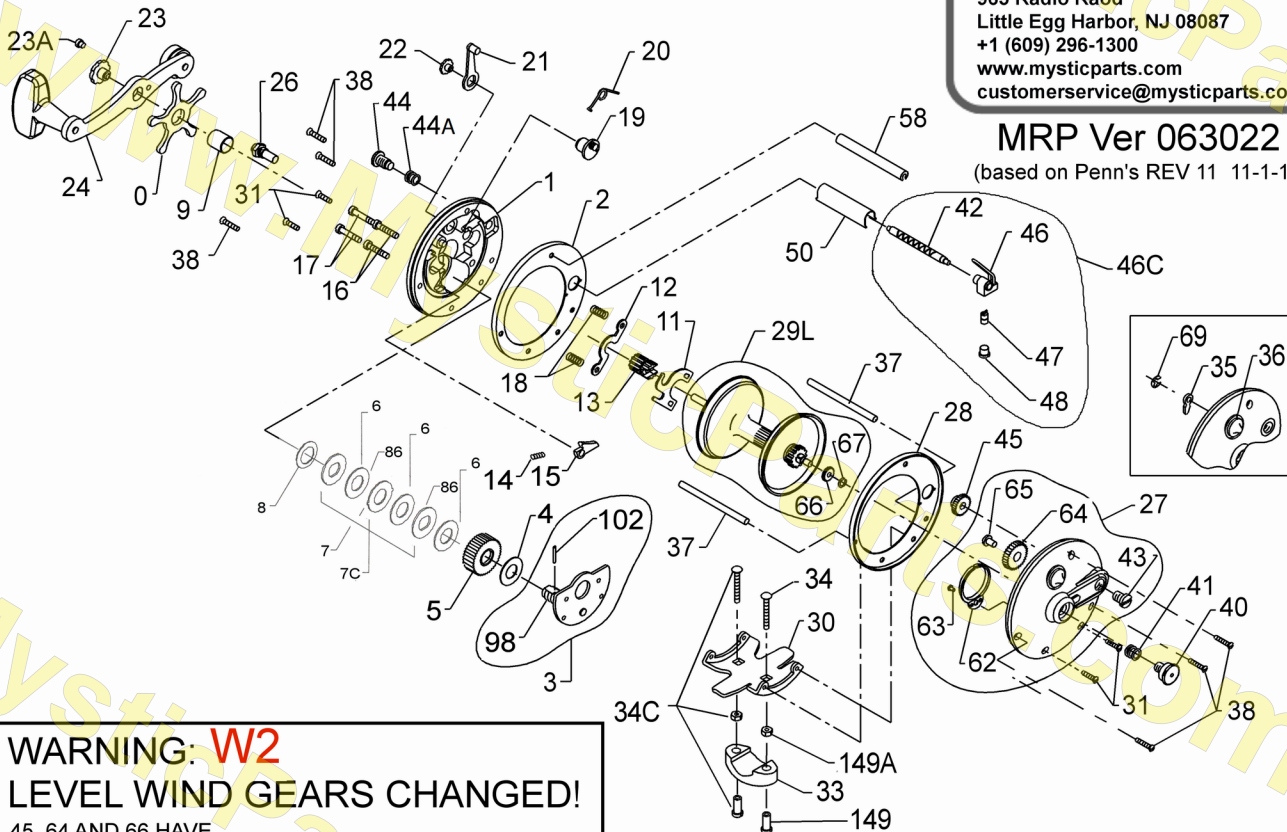
**LEFT HANDED VERSION**



965 Radio Raod  
 Little Egg Harbor, NJ 08087  
 +1 (609) 296-1300  
 www.mysticparts.com  
 customerservice@mysticparts.com

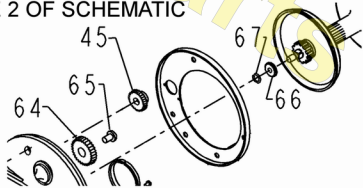
**MRP Ver 063022**

(based on Penn's REV 11 11-1-18)



**WARNING: W2**  
**LEVEL WIND GEARS CHANGED!**

45, 64 AND 66 HAVE  
 DIFFERENT DIAMETERS AFTER 2007  
 SEE PAGE 2 OF SCHEMATIC



**WARNING: W1**  
**MAIN/PINION CHANGED!**

For reels manufactured in 2007 or before:  
 When replacing either the main gear or the pinion gear  
 you will need to replace BOTH GEARS, as the tooth count  
 has changed to change the gear ratio of the reels.  
 SEE PAGE 2 OF SCHEMATIC  
 FOR REPLACEMENT KIT DETAILS

PENN SCHEMATIC PARTS LIST FOR 209-LH aka 209M-LH PEERLESS REEL (LEFT HANDED)

KEY NO	PUREFISHING PART NO	PART NO.	DESCRIPTION	KEY NO	PUREFISHING PART NO	PART NO.	DESCRIPTION
1	1180482	1-209LH	HANDLE SIDE PLATE (LEFT HAND)	33	See design changes below		
2	See design changes below			*	See design changes below		
3	1180717	3-155LH	BRIDGE W/ SLEEVE (LEFT HAND)	34	See design changes below		
4	1180772	4-155	FIBER WASHER	34C	See design changes below		
5	See design changes below			35	1182919	35-155	CLICK TONGUE
6	1180915	6-155	DRAG WASHER, HT100 MATERIAL (3 REQUIRED)	36	See design changes below		
6C	1180392	6-155SP	DRAG WASHER (COMPLETE 6PC SET)	37	1183073	37-160	FRAME POST (2 REQ.)
7	1181014	7-155	WASHER, EARRER METAL DRAG WASHER ONLY	38/39	1183135	38-8	POST SCREW (3 REQ. PER SIDE)
7C	1181047	7C-155	DRAG WASHER (METAL SET)	40	1183267	40-60	NON-HANDLE SIDE BEARING
8	1181056	8-60	TENSION WASHER	41	1183327	41-60	NON-HANDLE SIDE BEARING SPRING
9	1181143	9-60	SPACING SLEEVE	42	1183346	42-209	WORM
10	11181177	10-60LH	STAR DRAG (LEFT HANDED)	43	1183375	43-109	NON-HANDLE SIDE WORM BEARING (orig 44-109 had an oil port NLA)
11	1181238	11-155LH	ECCENTRIC JACK (LEFT HANDED)	44	1183469	44N-109	HANDLE SIDE WORM BEARING
12	1181264	12-155	PINION YOKE	44A	1183927	57-109	WORM BEARING SPRING
13	See design changes below			45	See design changes below		
14	1181393	14-99	DOG SPRING	46	1183554	46-209LH	LINE GUIDE (LEFT HANDED)
15	1181452	15-209LH	DOG (LEFT HANDED)	47	1183614	47-109	PAWL
16	1181565	16-60CH	LOWER BRIDGE SCREW (2 REQ.)	48	1183699	48-109	PAWL COVER
17	1181594	17-60CH	UPPER BRIDGE SCREW (2 REQ.)	50	1183757	50-209	WORM SHEILD
18	1181615	18-60	CLUTCH SPRING	58	1183950	58-209	SLOTTED POST
19	1181675	19-209LH	ECCENTRIC (LEFT HANDED)	62	See design changes below		
20	1181757	20-60LH	ECCENTRIC SPRING (LEFT HANDED)	63	See design changes below		
21	1181855	21-209	ECCENTRIC LEVER	64	See design changes below		
22	1181908	22-60CH	ECCENTRIC SCREW	65	1184084	65-209	IDLER GEAR SCREW
23	1181935	23-60	HANDLE SCREW	66	See design changes below		
23A	1184437	110-60	HANDLE LOCK SCREW	67	1184108	67-209	DRIVE GEAR LCKOK SPRING
24	See design changes below			69	See design changes below		
26	1182122	26-155	HANDLE SIDE BEARING	86	1184259	86-155	WASHER, KEYED METAL DRAG WASHER ONLY
27	1182217	27-209LH	PLATE, NON-HANDLE SIDE PLATE (LEFT HANDED)	98	1184341	98-155LH	GEAR SLEEVE (LEFT HANDED)
28	See design changes below			102	1184408	102-60	GEAR SLEEVE PIN
29L	See design changes below			149	See design changes below		
30	See design changes below			149A	See design changes below		
31	1182714	32-22	STAND SCREW (2 REQ. PER SIDE)				

**MYSTIC REEL PARTS REVISION (LEFT HANDED)**

NOTE: Many of www.mysticparts.com schematics include changes that were either made by Penn, or errors found and corrected by our parts dept. MRP Ver 063022 (based on Penn's REV 11 11-1-18)

**WARNING!**

**W2 LEVEL WIND GEARS CHANGED!**

**45, 64 AND 66 HAVE DIFFERENT DIAMETERS AFTER 2007**

The idler gear, worm gear and level wind gear originally had slightly different dimensions on pre 2007 model. Penn changed all 3 and added N to two of the part numbers to reflect this, but the idler gear part # was never changed.

**MEASURE YOUR METAL GEARS!**

If working on older reels, as the eplastic one can wear down more and make measurement unreliable. The original gears are no longer available, you would need to change all 3 to upgrade.

<table border="1" style="width: 100%;"> <thead> <tr> <th>KEY NO</th> <th>PUREFISHING PART NO</th> <th>PART NO.</th> <th>DESCRIPTION</th> </tr> </thead> <tbody> <tr> <td>45</td> <td>1183540</td> <td>45N-209</td> <td>WORM GEAR (NEWER DIAMETER)</td> </tr> <tr> <td>64</td> <td>1184061</td> <td>64-209</td> <td>IDLER GEAR (NEWER DIAMETER)</td> </tr> <tr> <td>66</td> <td>1184100</td> <td>66N-209</td> <td>LEVEL WIND DRIVE GEAR (NEWER DIAMETER)</td> </tr> </tbody> </table>	KEY NO	PUREFISHING PART NO	PART NO.	DESCRIPTION	45	1183540	45N-209	WORM GEAR (NEWER DIAMETER)	64	1184061	64-209	IDLER GEAR (NEWER DIAMETER)	66	1184100	66N-209	LEVEL WIND DRIVE GEAR (NEWER DIAMETER)	<p>***** MEASUREMENTS *****</p> <table border="0"> <tr> <td style="text-align: center;">Original O.D.</td> <td style="text-align: center;">Current O.D.</td> <td></td> <td></td> </tr> <tr> <td style="text-align: center;">Caliper:</td> <td style="text-align: center;">Caliper:</td> <td style="text-align: center;">Ruler:</td> <td style="text-align: center;">mm</td> </tr> <tr> <td style="text-align: center;">~N/A~</td> <td style="text-align: center;">0.707 "</td> <td style="text-align: center;">11/16"</td> <td style="text-align: center;">17.86mr</td> </tr> <tr> <td style="text-align: center;">1.1 " (27.94mm)</td> <td style="text-align: center;">1.07 "</td> <td style="text-align: center;">13/16" **</td> <td style="text-align: center;">21.35mr</td> </tr> <tr> <td style="text-align: center;">.35 " (8.89mm)</td> <td style="text-align: center;">0.366 "</td> <td style="text-align: center;">11/32"</td> <td style="text-align: center;">9.25mr</td> </tr> </table> <p>Parts NOT available in the older diameters</p>	Original O.D.	Current O.D.			Caliper:	Caliper:	Ruler:	mm	~N/A~	0.707 "	11/16"	17.86mr	1.1 " (27.94mm)	1.07 "	13/16" **	21.35mr	.35 " (8.89mm)	0.366 "	11/32"	9.25mr	<p><b>THIS IS WHAT YOU GET NOW</b></p> <p>** = just a hair over this measurement!</p>
KEY NO	PUREFISHING PART NO	PART NO.	DESCRIPTION																																			
45	1183540	45N-209	WORM GEAR (NEWER DIAMETER)																																			
64	1184061	64-209	IDLER GEAR (NEWER DIAMETER)																																			
66	1184100	66N-209	LEVEL WIND DRIVE GEAR (NEWER DIAMETER)																																			
Original O.D.	Current O.D.																																					
Caliper:	Caliper:	Ruler:	mm																																			
~N/A~	0.707 "	11/16"	17.86mr																																			
1.1 " (27.94mm)	1.07 "	13/16" **	21.35mr																																			
.35 " (8.89mm)	0.366 "	11/32"	9.25mr																																			

**W1****WARNING!  
MAIN AND PINION GEARS CHANGED!**

KEY NO	PUREFISHING PART NO	PART NO.	DESCRIPTION
5	1223794	5-209LC-LH	MAIN GEAR (RATIO 3.2:1) LEFT HANDED
13	1223795	13-209LC-LH	PINION GEAR (RATIO 3.2:1) LEFT HANDED
5	1180860	5-155LH	MAIN GEAR (RATIO 3:01) (LEFT HANDED)
13	1223795	13-155LH	PINION GEAR (RATIO 3:01) (LEFT HANDED)

Penn designed this kit for the 209LC-LH reel and is using it to replace the 5-155LH/13-155LH gear combination. These are LH gears **ONLY** and DO NOT FIT the right hand versions of the reels.

**This combination of gears is used on these reels only:**  
As Conversion Kit for: 155L-LH, 209M-LH  
Standard Gear Kit for: 209LC-LH

**CLICK SPRING AND BUTTON CHANGES**

KEY NO	PUREFISHING PART NO	PART NO.	DESCRIPTION
62	1184026	62-209	CLICK SPRING (METAL)
63	1184048	63-209	CLICK SPRING SCREW (FOR METAL CLICK SPRING)
<b>ORIGINAL METAL SPRING, CHANGED TO PLASTIC THEN CHANGED BACK AGAIN</b>			
62	N/A	62M-209	CLICK SPRING (PLASTIC)
63	1182662	31-2.5FR	CLICK SPRING SCREW (FOR PLASTIC CLICK SPRING)
<b>On 9, 155, 209, 320GT and 330GT reels: Clicker Screw (used with plastic 62M-209 clicker)</b>			
36	NLA	36-209	CLICK BUTTON, OLD STYLE DRILL OUT AND PEEN INTO PLACE
	1183048	36N-209	CLICK BUTTON, SLOTTED TO USE CLIP 69b-600
69	1184129	69B-600	CLICK BUTTON RETAINING SPRING

**SIDE RING VERSIONS**

2	1180630	2-209	HANDLE SIDE RING, CHROME OVER BRONZE
	N/A	2N-209	HANDLE SIDE RING, STAINLESS STEEL (CAME OUT WITH 209LC RELEASE)
28	N/A	28-209	NON-HANDLE SIDE RING, CHROME OVER BRONZE
	1182378	28N-209	NON-HANDLE SIDE RING, STAINLESS STEEL (CAME OUT WITH 209LC RELEASE)

**STAND NOTES**

KEY NO	PUREFISHING PART NO	PART NO.	DESCRIPTION
30	1182609	30-66	STAND, MODERN (STAINLESS MATTE FINISH)
	N/A	30-66F	STAND, FRESHWATER 1970s (MEASUREMENT: ??)
	N/A	30-66S	STAND, SALTWATER 1970s (MEASUREMENT: ??)

**SPOOL NOTES**

29 or 29P	N/A	29-209	SPOOL, BAKELITE (PLASTIC)
29L	1182526	29L-209	SPOOL, ALUMINUM (BLACK)
29M	N/A	29M-209	SPOOL, METAL (CHROME OVER BRONZE)

**CLAMP CHANGES****Older Thin Metal Clamps, Studs and Nuts**

33	1182759	33-200	THIN METAL CLAMP
*	1182783	33R-200	THIN METAL CLAMP, W/RING (OPTIONAL)
34	1182810	34-200	CLAMP SCREW (ONLY) (2 REQUIRED)
34C	1182875	34C-200	CLAMP SCREW W/ HEX AND WING NUTS (2 REQUIRED)
33C	1191611	33C-200	THIN METAL CLAMP KIT W/STUDS/NUTS INCLUDED
149	1184702	149-45	CLAMP NUT, LONG (2 REQ.)
149A	1184706	149-200	HEX NUT (2 REQ.)

**Thicker Modern Clamps with shorter studs and long nut**

33	N/A	33-113	ROD CLAMP, Thick Graphite
*	1182754	33N-113	ROD CLAMP, Thick Graphite w/ side ring
34	1182788	34-45	CLAMP SCREW (ONLY) (2 REQUIRED)
34C	1182862	34C-45	CLAMP SCREW W/ HEX AND LONG NUTS (2 REQUIRED)
33C	1180382	33N-113SP	THICK GRAPHITE CLAMP KIT W/STUDS/NUTS INCLUDED
149	1184709	152-200	WING NUT (2 REQ.)
149A	1184706	149-200	HEX NUT (2 REQ.)

**HANDLE OPTIONS****COUNTER BALANCED HANDLE DESIGNS**

24	1191342	24S-310	HANDLE, STAINLESS STEEL BLADE, BLACK RUBBERIZED KNOB
	OLD#	24-66	HANDLE, CHROME/BRONZE BLADE, TORPEDO KNOB ASST'D COLORS
	OLD#	24N-66	HANDLE, CHROME/BRONZE BLADE, BLACK RUBBERIZED KNOB