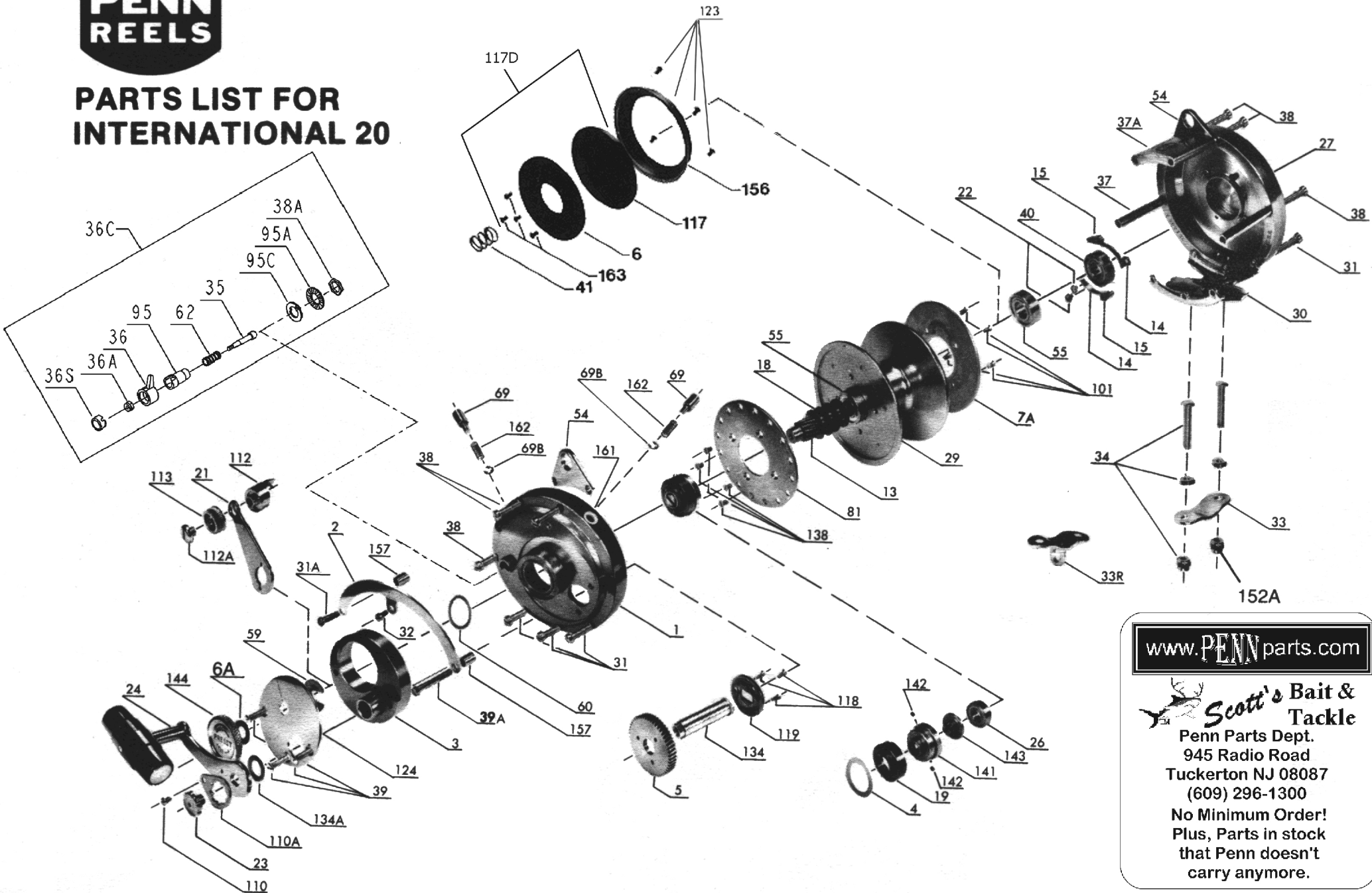




PARTS LIST FOR INTERNATIONAL 20



www.PENNparts.com

Scott's Bait & Tackle
Penn Parts Dept.
945 Radio Road
Tuckerton NJ 08087
(609) 296-1300
No Minimum Order!
Plus, Parts in stock
that Penn doesn't
carry anymore.

SBT Ver 100816

Penn Reel Parts list for: International 20

KEY NO	PART NO.	DESCRIPTION	KEY NO	PART NO.	DESCRIPTION
1	1-20	RIGHT SIDE PLATE ASSEMBLY	33	33-49	ROD CLAMP
2	2-30	QUADRANT RING	33R	33R-49	RINGED ROD CLAMP
3	3-30	BRIDGE	34	34-20	ROD CLAMP SCREW W/NUTS
4	4-30	CAM THRUST WASHER	37	37-20	FRAME POST
5	5-50	MAIN GEAR	37A	37A-20	SPACER BAR
6	6/1-30	DRAG WASHER	38	38-50	POST SCREWS (7 Req.)
6A	6/1-155	SPACER WASHER	39	39-12	BRIDGE CREWS (3 Req.)
7A	7A-30	METAL DRAG WASHER	39A	39-50	SPECIAL POST SCREW
9	9-30	SPACING SLEEVE N/S	40	55-80	LEFT SIDE BEARING
13	13-20	PINION GEAR	41	41-50	LEFT SIDE BEARING SPRING
14	14-50	DOG SPRING	54	54-50	HARNES LUGS (2 Req.)
15	15-50	DOG	55	20-704	SPOOL BEARINGS (2 Req.)
18	18-20	DISC CLUTCH SPRING	59	59-50	SLOTTED WASHER
18A	95A-20	CLICK BUSHING WASHER	60	60-50	BACKING WASHER
19	19-20	ECCENTRIC CAM (or 19-30W)	69	69-50	LOCATING PIN
21	21-30	ECCENTRIC CAM LEVER	69B	69B-50	RETAINING RING
22	22-109	DOG SPRING SCREW	81	81-50	RATCHET
23	23-114	HANDLE SCREW	101	101-30	METAL DRAG WASHER SCREWS (4 Req.)
24	24-30TW	HANDLE COMPLETE	110	110-50	HANDLE LOCK SCREW
26	20-704	RIGHT SIDE BEARING	110A	110A-50	HANDLE LOCKING PLATE
27	27-20	L.S. PLATE ASSEMBLY	112	112-50	ECCENTRIC LEVER KNOB
29	29L-20	SPOOL	112A	112A-50	ECCENTRIC KNOB SCREW
30	30-20	STAND	113	113-50	ECCENTRIC LEVER CAP
31	31-20	STAND SCREW (6 Req.)	117	117-30	DRIVE PLATE
31A	31-20	QUADRANT SCREW	117D	117DN-30	DRIVE PLATE ASSEMBLY
32	32-14	CENTER QUADRANT SCREW			

118	38-7	MAIN GEAR PLATE SCREWS (3 Req.)	143	143-30	ADJUSTING SCREW
119	119-50	MAIN GEAR PLATE	144	144-50	PRESET KNOB
123	123-50	DRAG COVER SCREWS (4 Req.)	149	149-200	ROD CLAMP HEX NUT
124	124-30	BRIDGE COVER	152A	152A-50	ROD CLAMP ACORN NUT
134	134-50	GEAR STUD	156	156-30	DRAG COVER
134A	134/1-50	GEAR STUD WASHER	157	157-50	QUADRANT SPACER BUSHING (2 Req.)
138	101-30	RATCHET SCREWS (4 Req.)	161	161-50	LOCATING PIN BUSHING
141	141-30	CAM FOLLOWER	162	162-30	LOCATING PIN SPRING
142	142-50	CAM FOLLOWER PIN (2 Req.)	163	101-30	DRIVE PLATE SCREW

NOTE: Many of www.pennparts.com schematics include changes that were either made by Penn, or errors found and corrected by our parts dept.
SBT Version 100816

<u>OLDER DESIGN</u>			<u>NEWER DESIGN</u>		
35	35-50	CLICK TONGUE (Old# 35/1-50)	35	35-50N	CLICK TONGUE
36	36-50	CLICK BUTTON (Old# 36/1-50)	36	36N-50	CLICK BUTTON
36A	36-700	CLICK BUTTON NUT	36A	36-700	CLICK BUTTON NUT
		N/A	36S	36S-80ST	CLICK BUTTON CAP
38A	38-710	CLICK BUSHING NUT	38A	38-710	CLICK BUSHING NUT
62	62-50	CLICK SPRING	62	62-50	CLICK SPRING
95	95-50	CLICK TONGUE BUSHING	95	95-50	CLICK TONGUE BUSHING
		N/A	95A	95A-20	CLICK BUSHING WASHER
		N/A	95C	95A-50	CLICK BUSHING WASHER
		N/A	**	36C-50	CLICK BUTTON COMPLETE ASSEMBLY **

NOTES: The 36C-50 click button assembly can be used on the older plates
There are photos of the plates and clicker parts in the www.pennparts.com website for comparison
Diameter changed on button and tongue