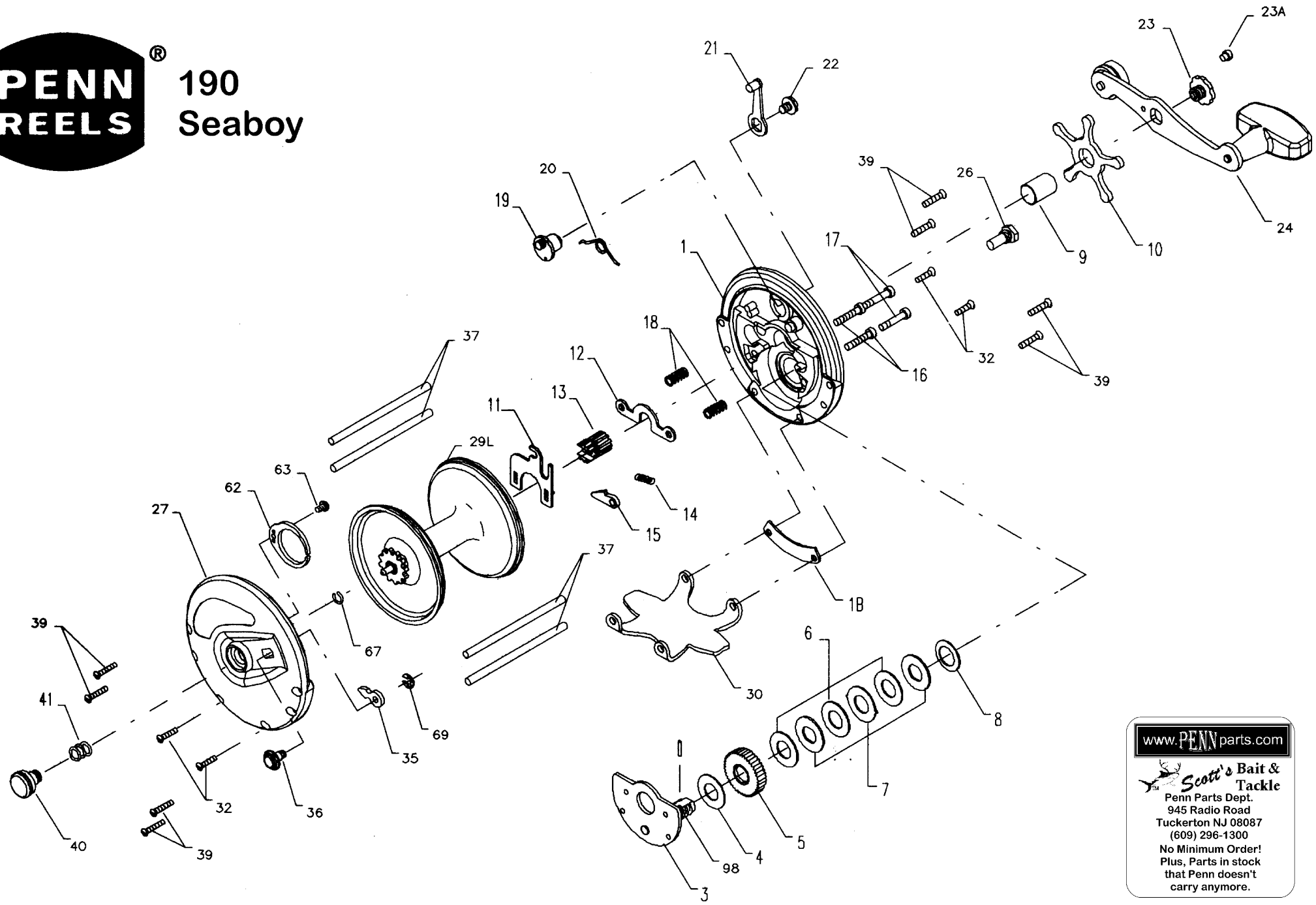




190 Seaboy



www.PENNparts.com

Scott's Bait & Tackle
 Penn Parts Dept.
 945 Radio Road
 Tuckerton NJ 08087
 (609) 296-1300
 No Minimum Order!
 Plus, Parts in stock
 that Penn doesn't
 carry anymore.

Penn Reel Parts list for: Model: 190

KEY PART			KEY PART		
NO	PART NO.	DESCRIPTION	NO	PART NO.	DESCRIPTION
1	1-185	RIGHT SIDE PLATE	21	21-285	ECCENTRIC LEVER
1B	1B-185	GEAR COVER	22	22-60CH	ECCENTRIC SCREW
3	3-185	BRIDGE W/ SLEEVE	23	23-60	HANDLE SCREW
4	4-155	FIBER WASHER	23A	110-60	HANDLE LOCK SCREW
5	5-185	MAIN GEAR	24	24-310	HANDLE
6	6-309	DRAG WASHER	26	26-60	RIGHT SIDE BEARING
7	7C-500	METAL WASHER SET	27	27-190	LEFT SIDE PLATE
8	8-60	TENSION SPRING	29L	29L-190	SPOOL
9	9-60	SPACING SLEEVE	30	30-65	STAND
10	10-60	STAR DRAG WHEEL	32	32-14CH	STAND SCREW (4 REQ.)
11	11-185	ECCENTRIC JACK	35	35-60	CLICK TONGUE
12	12-60	PINION YOKE	36	36-267	CLICK BUTTON
13	13-185	PINION	37	37-65	FRAME POST
14	14-99	DOG SPRING	39	39-4CH	SIDE PLATE SCREW (8 REQ.)
15	15-85	DOG	40	40-185	LEFT SIDE BEARING
16	16-60CH	LOWER BRIDGE SCREW	41	41-60	LEFT SIDE BEARING SPRING
17	17-60CH	UPPER BRIDGE SCREW	62	62M-309	CLICK SPRING
18	18-60	CLUTCH SPRING	63	63-330	CLICK SPRING SCREW
19	19-330	ECCENTRIC	67	67-185	LOCK RING
20	20-155	ECCENTRIC SPRING	69	69B-600	RETAINING RING
			98	98-60	GEAR SLEEVE

NOTE: Many of www.pennparts.com schematics include changes that were either made by Penn, or errors found and corrected by our parts dept.

