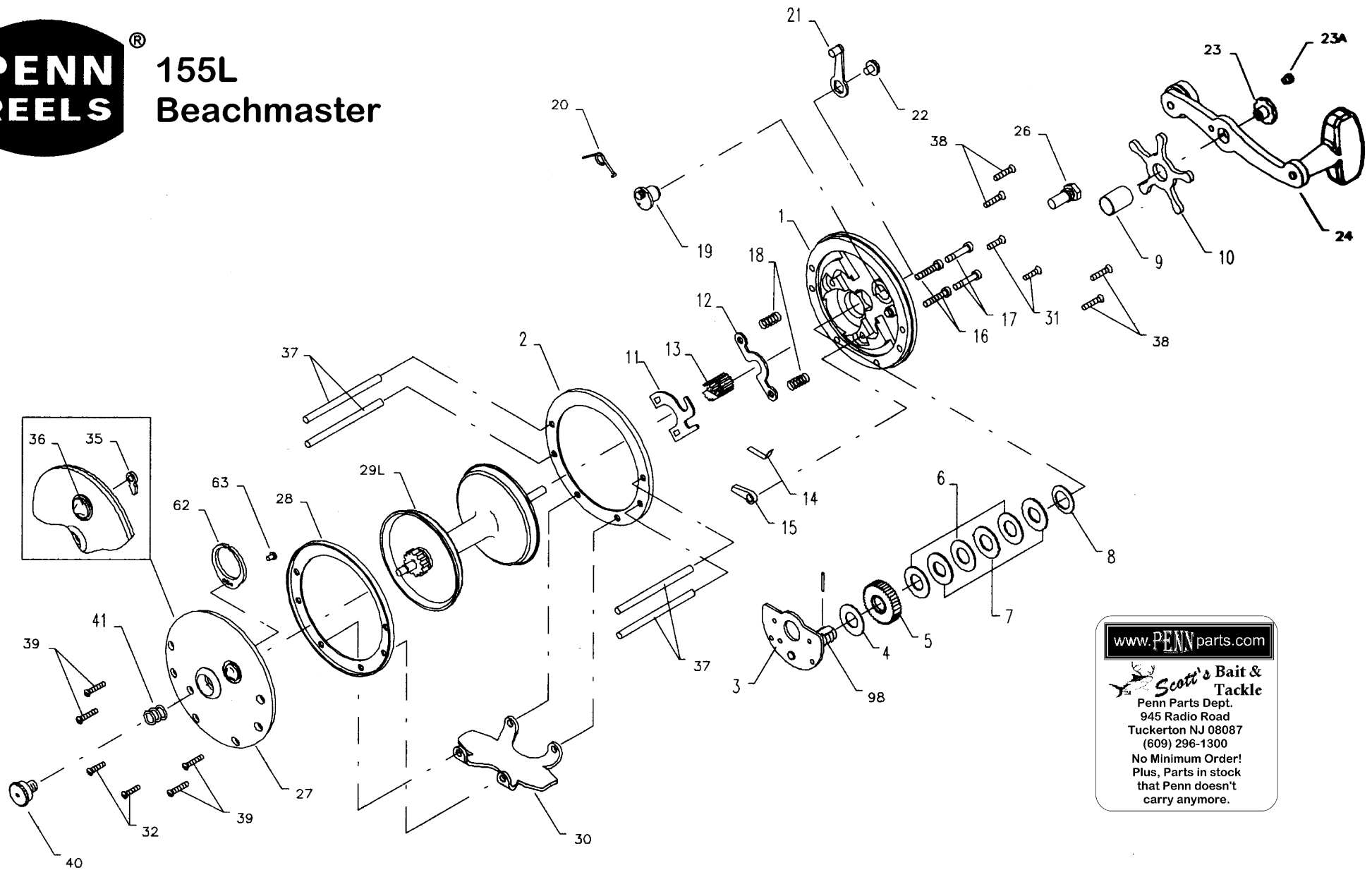


# 155L Beachmaster



[www.PENNparts.com](http://www.PENNparts.com)

**Scott's Bait & Tackle**  
Penn Parts Dept.  
945 Radio Road  
Tuckerton NJ 08087  
(609) 296-1300  
No Minimum Order!  
Plus, Parts in stock  
that Penn doesn't  
carry anymore.

## Penn Reel Parts list for Model: 155L

KEY	PART		KEY	PART	
NO	NO.	DESCRIPTION	NO	NO.	DESCRIPTION
1	1-155	HANDLE SIDE PLATE	26	26-155	HANDLE SIDE BEARING
2	2-155	HANDLE SIDE RING	27	27-155	NON-HANDLE SIDE PLATE
3	3-155	BRIDGE W/ SLEEVE	28	2-155	NON-HANDLE SIDE RING
4	4-155	FIBER WASHER	29	29L-200	SPOOL
5	5-155	MAIN GEAR	30	30-200	STAND
6	6-155	DRAG WASHER (3 REQ.)	31	32-22	HANDLE SIDE STAND SCREW ( 2 REQ.)
7	7c-155	METAL WASHER SET	32	32-14CH	NON-HANDLE SIDE STAND SCREW (2 REQ.)
8	8-60	TENSION SPRING	*	33-200	ROD CLAMP
9	9-60	SPACING SLEEVE	*	34-200	ROD CLAMP SCREW (2-REQ.)
10	10-60	STAR DRAG WHEEL	*	34C-200	ROD CLAMP SCREW W/ NUTS (2-REQ.)
11	11-155	ECCENTRIC JACK	35	35-155	CLICK TOUNGE
12	12-155	PINION YOKE	36	36-155CH	CLICK BUTTON
13	13-155	PINION	37	37-155	FRAME POST
14	14-155	DOG SPRING	38	38-8	HANDLE SIDE PLATE SCREW (4 REQ.)
15	15-155	DOG	39	38-8	NON-HANDLE SIDE POST SCREW (4 REQ.)
16	16-60CH	LOWER BRIDGE SCREW	40	40-60	NON-HANDLE SIDE BEARING
17	17-60CH	UPPER BRIDGE SCREW	41	41-60	NON-HANDLE SIDE BEARING SPRING
18	18-60	CLUTCH SPRING	62	62-209	CLICK SPRING
19	19-155	ECCENTRIC	63	63-209	CLICK SPRING SCREW
20	20-155	ECCENTRIC SPRING	98	98-155	GEAR SLEEVE
21	21-155	ECCENTRIC LEVER	*	149-200	HEX NUT (2-REQ.)
22	22-60CH	ECCENTRIC SCREW	*	152-200	WING NUT (2 REQ.)
23	23-60	HANDLE SCREW	<i>* Not Shown</i>		
23A	110-60	HANDLE LOCK SCREW			
24	24-155	HANDLE			

NOTE: Many of [www.pennparts.com](http://www.pennparts.com) schematics include changes that were either made by Penn, or errors found and corrected by our parts dept.