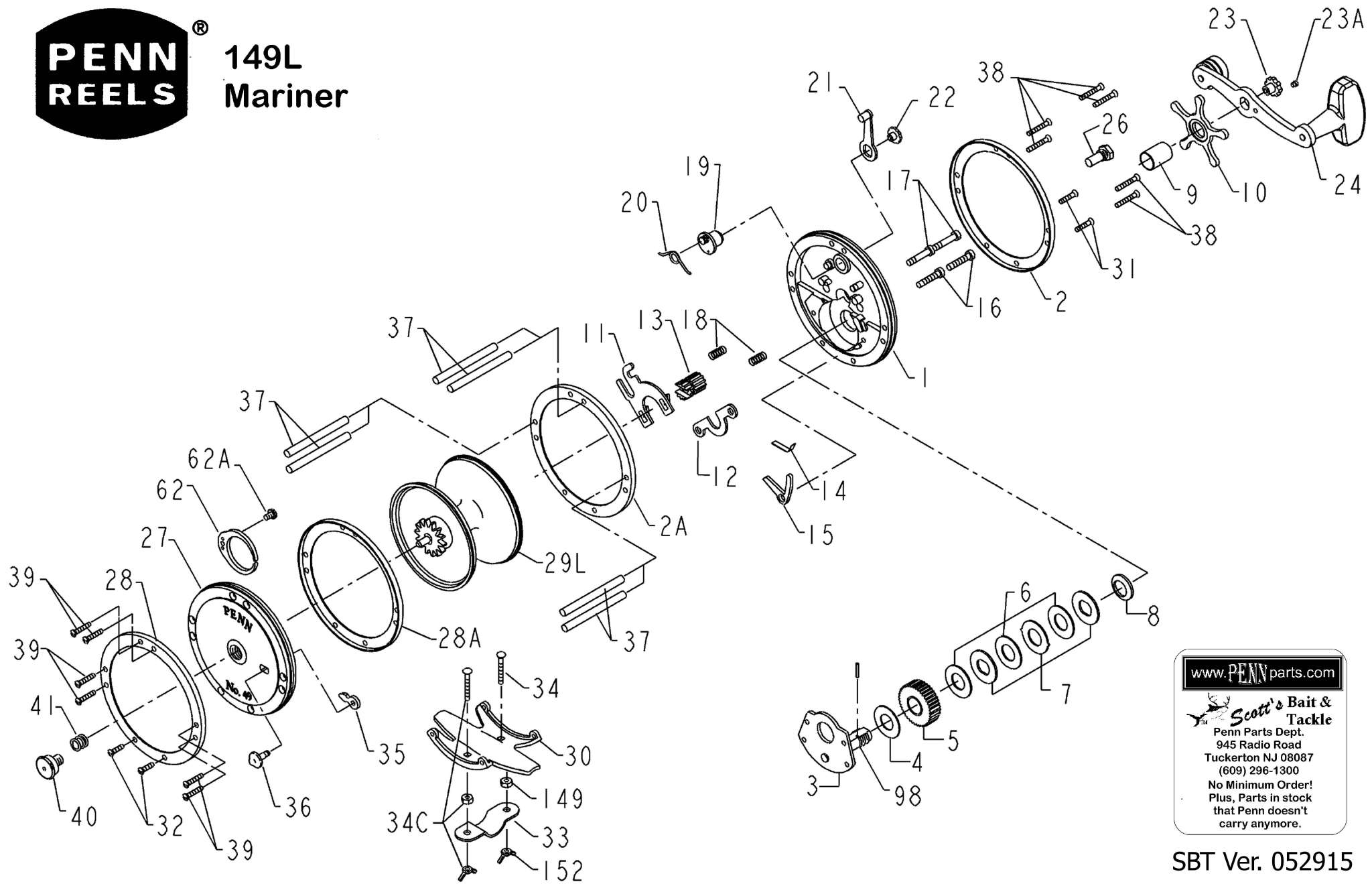


149L Mariner



www.PENNparts.com

Scott's Bait & Tackle
Penn Parts Dept.
945 Radio Road
Tuckerton NJ 08087
(609) 296-1300
No Minimum Order!
Plus, Parts in stock
that Penn doesn't
carry anymore.

Penn Reel Parts list for Model 149L Mariner

KEY PART			KEY PART		
NO	NO.	DESCRIPTION	NO	NO.	DESCRIPTION
1	1-149	R.S. PLATE	22	22-60CH	ECCENTRIC SCREW
2	2-49-OL	OUTER RING	23	23-60	HANDLE SCREW
2A	2-49-I	INNER RING	23A	110-60	HANDLE LOCK SCREW
3	3-149	BRIDGE W/ SLEEVE	24	24-49	HANDLE
4	4-60	FIBER WASHER	26	26-60	RIGHT SLEEVE BEARING
5	5-149	MAIN GEAR	27	27-149	LEFT SIDE PLATE
6	6-60	DRAG WASHER (3 REQ.)	28	28-49-O	OUTER LEFT SIDE RING
7	7C-60	METAL WASHER SET	28A	2-49-I	INNER RING
8	8-60	TENSION SPRING	29L	29L-49	SPOOL
9	9-60	SPACING SLEEVE	30	30-180S	STAND
10	10-49	STAR DRAG WHEEL	38	38-8	RIGHT/LEFT SIDE STAND SCREW
11	11-49	ECCENTRIC JACK	35	35-60	CLICK TONGUE
12	12-113	PINION YOKE	36	36-60CH	CLICK BUTTON
13	13-113	PINION	37	37-49	POST (6 REQ.)
14	14-60	DOG SPRING	39	39-6	RIGHT/LEFT SIDE POST SCREW (6 REQ. PER SIDE)
15	15-149	DOG	40	40-60	COMPLETE LEFT SIDE BEARING
16	16-60CH	LOWER BRIDGE SCREW (2 REQ.)	41	41-60	LEFT SIDE BEARING SPRING
17	17-60CH	UPPER BRIDGE SCREW (2 REQ.)	62	62-309	CLICK SPRING
18	18-60	CLUTCH SPRING (2 REQ.)	62A	63-209	CLICK SPRING SCREW
19	19-60	ECCENTRIC CAM	98	98-60	GEAR SLEEVE
20	20-60L	ECCENTRIC SPRING	149	149-200	HEX NUT
21	21-49	ECCENTRIC LEVER	152	152-200	WING NUT

NOTE: Many of www.pennparts.com schematics include changes that were either made by Penn, or errors found and corrected by our parts dept.
SBT Ver. 052915

Penn originally combined the 49 and 149 schematics, but this causes confusion as the 149 only has one eccentric/lever
We separated them and made the additional corrections to the parts list.