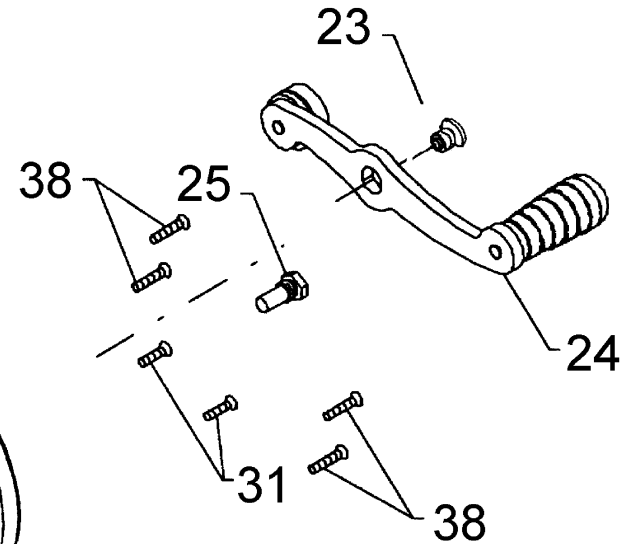
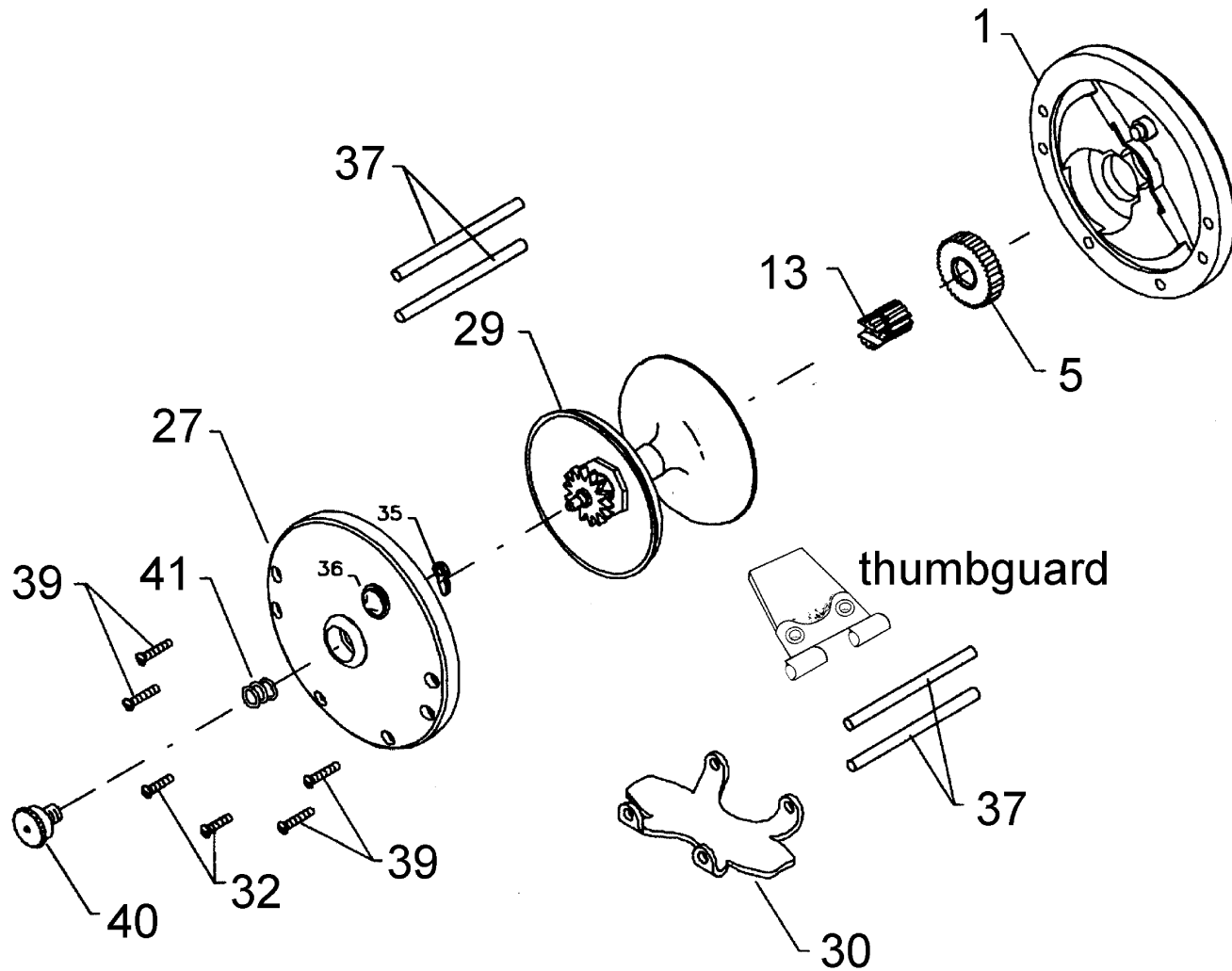


14 Atlantic Reel

(built from 285 schematic)

**Drawing is NOT complete



www.PENNparts.com

Scott's Bait & Tackle
Penn Parts Dept.
945 Radio Road
Tuckerton NJ 08087
(609) 296-1300
No Minimum Order!
Plus, Parts in stock
that Penn doesn't
carry anymore.

SBT Ver. 100710

Penn Reel Parts list for:

Model: 14

Atlantic

KEYPART

NONO.	DESCRIPTION
1 1-14	R.S. PLATE
5 5-14	MAIN GEAR
13 13-14	PINION GEAR
23 23-85	HANDLE SCREW
24 24-85	COMPLETE HANDLE
25 25-85	KNOB, RIVET & OILER
27 27-14	L.S. PLATE
29 29-14	PLASTIC SPOOL
30 30-85	STAND

KEYPART

NONO.	DESCRIPTION
31 31-285	R.S. STAND SCREW
32 31-285	L.S. STAND SCREW
35 35-60	CLICK TONGUE
36 36-60CH	CLICK BUTTON
37 37-60	FRAME POST
38 38-8	R.S. POST SCREW
39 38-8	L.S. POST SCREW
40 40-60	L.S. BEARING
41 41-60	BEARING SPRING
**	THUMB PAD

NOTE: Many of www.pennparts.com schematics include changes that were either made by Penn, or errors found and corrected by our parts dept.
SBT Ver. 030906 - build from cross reference list and photograph.
This model predates drag washers and did not have them
Click spring is part of the plate and not replaceable.
Click tongue and button can be drilled out to replace

** no known number

38-8 Replaces old number 31-60