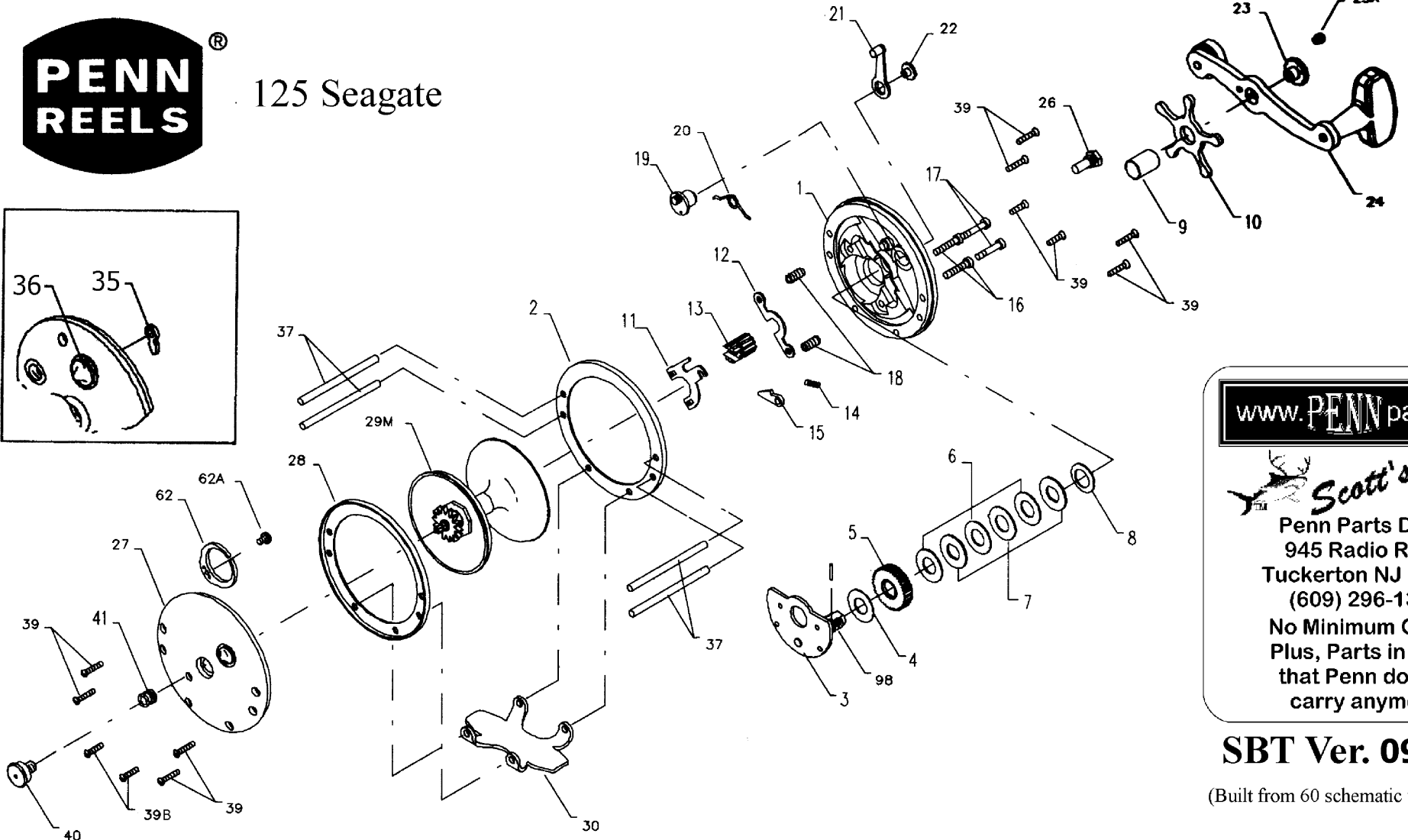
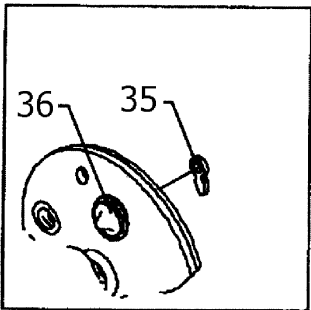


# 125 Seagate



[www.PENNparts.com](http://www.PENNparts.com)

**Scott's Bait & Tackle**  
 Penn Parts Dept.  
 945 Radio Road  
 Tuckerton NJ 08087  
 (609) 296-1300  
 No Minimum Order!  
 Plus, Parts in stock  
 that Penn doesn't  
 carry anymore.

## SBT Ver. 092112

(Built from 60 schematic using 125 reel)

# Penn Reel Parts list for Model: 125 Seagate

KEY PART			KEY PART		
NO	NO.	DESCRIPTION	NO	NO.	DESCRIPTION
1	1-125	HANDLE SIDE PLATE (1-60 will fit)	20	20-60L	ECCENTRIC SPRING
2	2-60	HANDLE SIDE RING	21	21-66	ECCENTRIC LEVER
3	3-66	BRIDGE W/ SLEEVE (orig 3-60)	22	22-60CH	ECCENTRIC SCREW
4	4-60	FIBER WASHER	23	23-60	HANDLE SCREW
5	5-60	MAIN GEAR	23A	110-60	HANDLE LOCK SCREW
6	6-60	DRAG WASHER (3 REQ.)	24	24-66	HANDLE
7	7C-60	METAL WASHER	26	26-60	HANDLE SIDE BEARING
8	8-60	TENSION SPRING	27	27-125	NON-HANDLE SIDE PLATE ASSEMBLY (27-60 will fit)
9	9-60	SPACING SLEEVE	28	28-60	NON-HANDLE SIDE RING
10	10-140	STAR DRAG WHEEL	35	35-60	CLICK TONGUE
11	11-60	ECCENTRIC JACK	36	36-209	CLICK BUTTON
12	12-60	PINION YOKE	39	39-5	HANDLE SIDE STAND & POST SCREW - NON-HANDLE SIDE POST SCREW
13	13-85	PINION	39A	39-4CH	NON-HANDLE SIDE STAND SCREW
14	14-99	DOG SPRING	40	40-60	NON-HANDLE SIDE BEARING
15	15-99	DOG	41	41-60	NON-HANDLE SIDE BEARING SPRING
16	16-60CH	LOWER BRIDGE SCREW (2 REQ.)	62	62-309	CLICK SPRING
17	17-60CH	UPPER BRIDGE SCRW (2 REQ.)	62A	63-209	CLICK SPRING SCREW
18	18-60	CLUTCH SPRING (2 REQ.)	98	98-60	GEAR SLEEVE
19	19-60	ECCENTRIC			

NOTE: Many of www.pennparts.com schematics include changes that were either made by Penn, or errors found and corrected by our parts dept.  
SBT Ver. 070415 (Built from a 125 reel using 60/65 schematics)

To replace the click tongue on models where it is peened into place use a dremel drill with a fine tip to remove the old click tongue and click button. Then peen the new ones into place.

Two possible widths on this reel have been found, MEASURE YOUR POSTS FOR CORRECT PARTS!

<u>Wider Version</u>			<u>Narrower Version</u>		
30	30-65	STAND	30	30-60	STAND
37	37-65	FRAME POST (2 1/8")	37	37-60	FRAME POST (1 3/4")
29	??	SPOOL	29	29M-60	SPOOL, STAINLESS, 3PC WITH MATTE FINISH
			29	29L-85	SPOOL, ALUMINUM, BLACK FINISH

## CLICKER RELATED NOTES/PART CHANGE INFO

### INSTALLATION:

To replace the click tongue on models where it is peened into place, use a dremel drill with a fine tip to remove the old click tongue and click button. Then peen the new 36-209 into place.

### OPTIONAL:

Any reel that uses the 36-209 button can use:

36N-209 button and a 69B-600 removable c clip

This newer style is held by the clip instead of being peened in place.