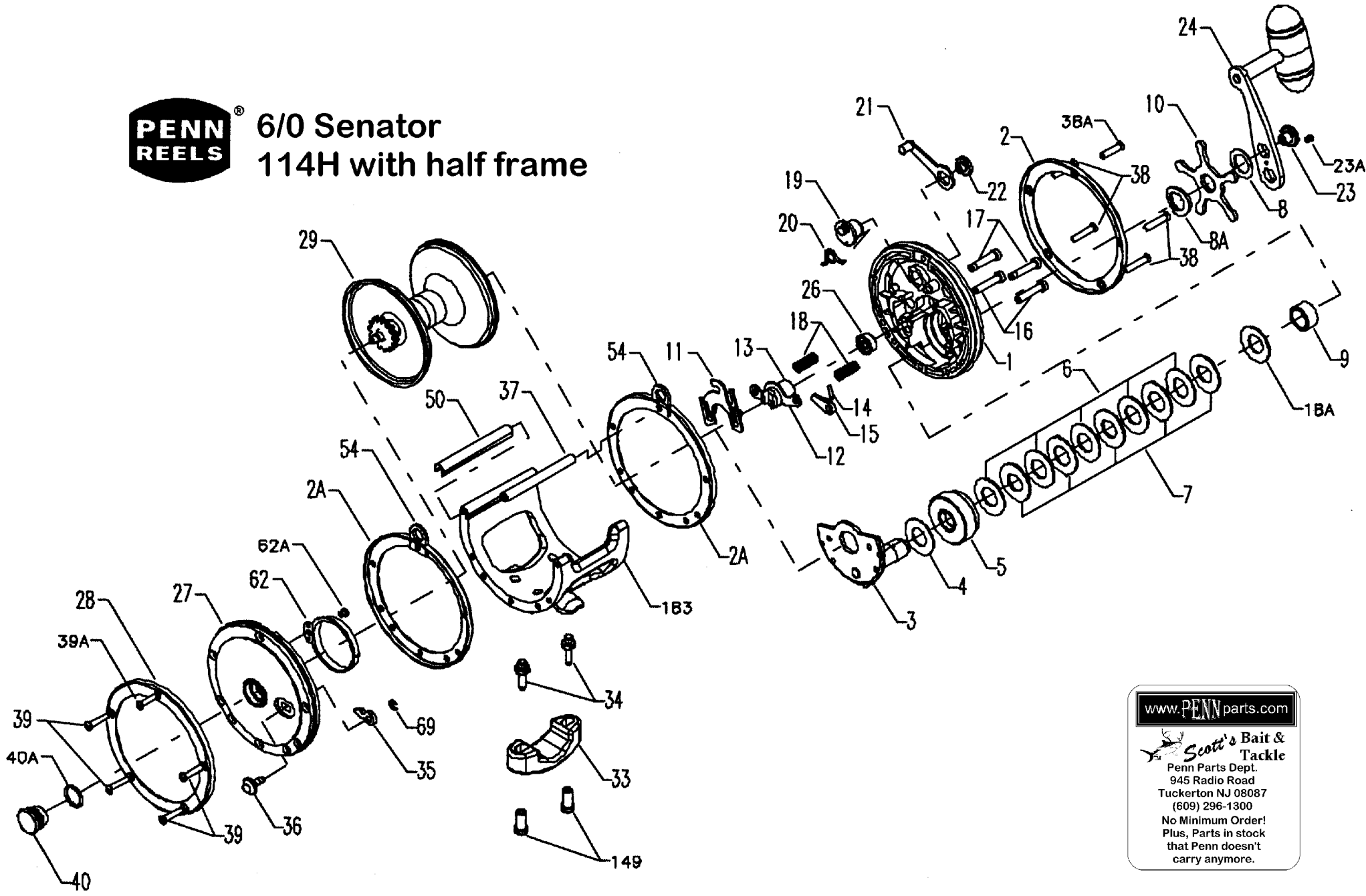




6/0 Senator 114H with half frame



www.PENNparts.com

Scott's Bait & Tackle
Penn Parts Dept.
945 Radio Road
Tuckerton NJ 08087
(609) 296-1300
No Minimum Order!
Plus, Parts in stock
that Penn doesn't
carry anymore.

Penn Reel Parts list for Model: 114H 6/0 Senator, Half Frame w/stand

KEY	PART	DESCRIPTION	KEY	PART	DESCRIPTION
<u>NO.</u>	<u>NO.</u>		<u>NO.</u>	<u>NO.</u>	
1	1-114H	Handle Side Plate	23	23-116	Handle Screw
2	2N-114H	Handle Side Ring Outer	23A	110-60	Handle Lock Screw
2A	2-114-I	Handle/Non-Handle Side Ring Inner	24	24-57	Handle
3	3-114H	Bridge with Sleeve	26	26-116	Bearing Handle Side
4	4-115	Fiber Washer	27	27N-114H	Non-Handle Side Plate
5	5-115	Main Gear	28	2N-114	Non-Handle Side Ring Outer
6	6-115	Drag Washer	29	29L-114HL	Spool, Aluminum
7	7C-115	Metal Drag Washer Set	33	33-340	Rod Clamp
8	8-114	Tension Spring	34	34-975	Clamp Screw (2 Required)
8A	8-115	Tension Spring	35	35-114	Click Tongue
9	9-114H	Spacing Sleeve	36	36-114H	Click Button
10	10-114	Star Drag Wheel	37	37-114	Frame Post
11	11-114	Eccentric Jack	38A	39-12	Handle Side Post Screw (at lug)
12	12-114	Pinion Yoke	39A	32-21	Non-Handle Side Post Screw (at lug)
13	13-114H	Pinion	40	40-114HL	Non-Handle Side Bearing
14	14-114	Dog Spring	40A	120-114H	Non-Handle Side Bearing O Ring
15	15-114H	Dog	50	50-114HF	Frame Shield
16	16-114	Bridge Screw Lower (2 Required)	54	54-114	Harness Lug (2 Required)
17	17-114	Bridge Screw Upper (2 Required)	62	62-114	Click Spring
18	18-114	Clutch Spring	62A	63-209	Click Spring Screw
18A	18-114H	Spring Disc	69	69B-600	Retaining Ring
19	19-114	Eccentric	98	98-114	Gear Sleeve
20	20-114	Eccentric Spring	149	149-45	Clamp Nut (2 Required)
21	21-114	Eccentric Lever	149A	149-200	Hex Nut (2 Required)
22	23-60	Eccentric Screw			

NOTE: Many of www.pennparts.com schematics include changes that were either made by Penn, or errors found and corrected by our parts dept.
SBT Ver 100916

CHANGES: 33R-114 RINGED METAL CLAMP WAS REMOVED - DOES NOT FIT THIS VERSION

Early Run Half Frame

(with bare holes & self tapping screws)

183	183-114H-HF	Half Frame (stand included)
38	38-114	Handle Side Post Screw (4 Required)
39	39-114	Non-Handle Side Post Screw (4 Required)

Later Run Half Frame

(with brass bushings and fine threaded screws)

183	183-114H	Half Frame (stand included)
38	39-13	Handle Side Post Screw (4 Required)
39	39-13	Non-Handle Side Post Screw (4 Required)