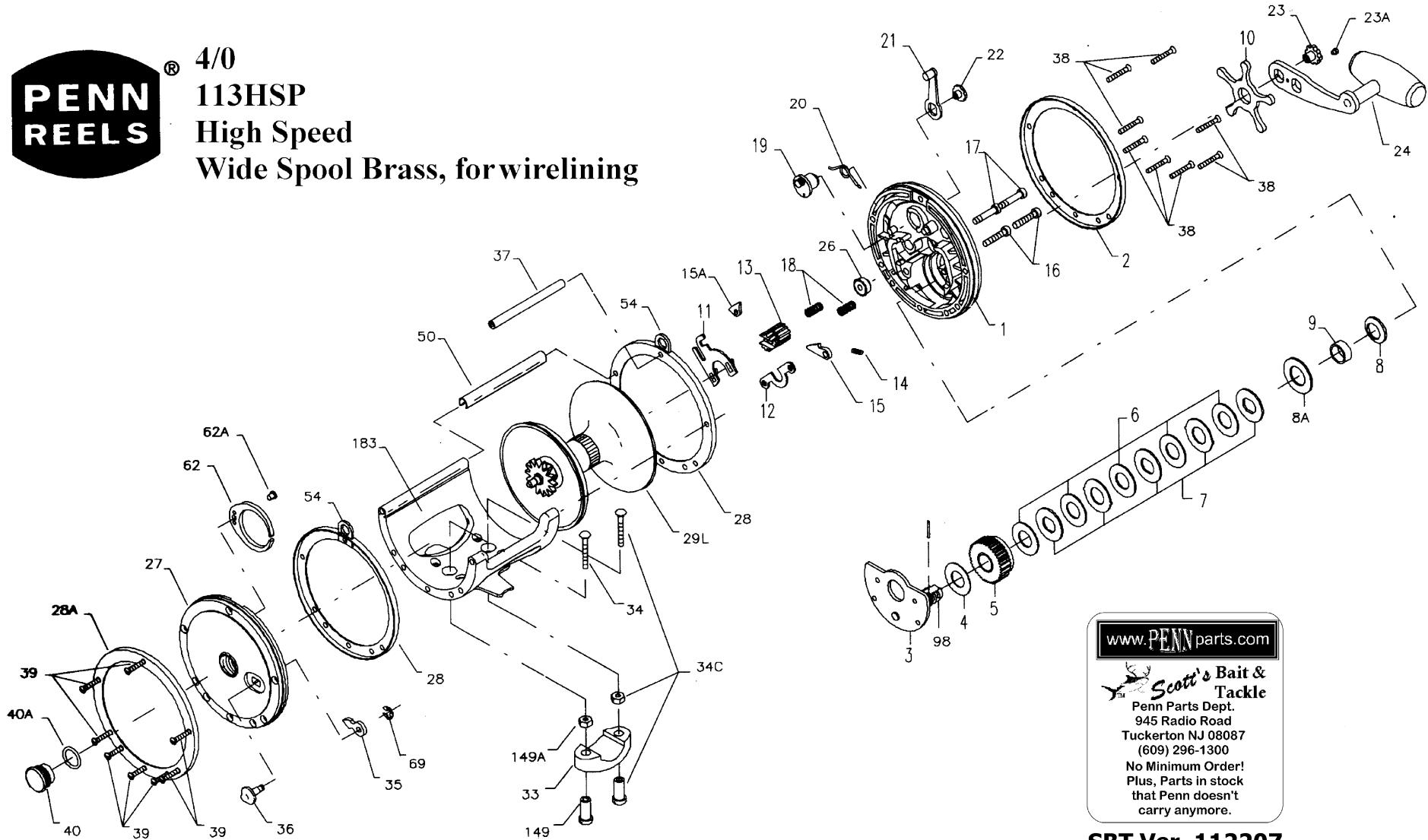




**4/0**  
**113HSP**  
**High Speed**  
**Wide Spool Brass, for wirelining**



[www.PENNparts.com](http://www.PENNparts.com)

**Scott's Bait & Tackle**  
Penn Parts Dept.  
945 Radio Road  
Tuckerton NJ 08087  
(609) 296-1300  
No Minimum Order!  
Plus, Parts in stock  
that Penn doesn't  
carry anymore.

**SBT Ver. 112207**

# Penn Reel Parts list for Model: 113HSP HALFFRAME

## WIRE LINING REEL      SPECIAL PURPOSE SPOOL

KEY PART			KEY PART		
NO	NO.	DESCRIPTION	NO	NO.	DESCRIPTION
1	1-113H	HANDLE SIDE PLATE	28	2-113-I	INNER SIDE RING
2	2-113H-O	OUTER RING SIDE RING	28A	2-113-O	OUTER NON-HANDLE SIDE RING
3	3-113H	BRIDGE W/ SLEEVE	29L	29M-113H	SPOOL, BRASS F/WIRE LINING
4	4-349	FIBER WASHER	31	32-18	HANDLE SIDE STAND SCREW (3REQ)
5	5-113H	MAIN GEAR	32	32-17	NON-HANDLE SIDE STAND SCREW (3REQ)
6	6-113H	DRAG WASHER (5 REQ.)	33	33-113	ROD CLAMP
7	7C-113H	METAL WASHER SET	*	33R-200	RINGED ROD CLAMP (OPTIONAL)
8	8-349	TENSION SPRING	34	34-45	CLAMP SCREW (ONLY)
8A	18-970	TENSION SPRING DRAG	34C	34C-45	ROD CLAMP SCREW W/ NUTS
9	9-113H	SPACING SLEEVE	35	35-60	CLICK TONGUE
10	10-349	STAR DRAG WHEEL	36	36-113	CLICK BUTTON
11	11-113	ECCENTRIC JACK	37	37-113HLW	FRAME POST
12	12-60	PINION YOKE	38	39-9	HANDLE SIDE POST SCREW
13	13-113H	PINION	39	39-3	NON-HANDLE SIDE SCREW
14	14-99	DOG SPRING	40	**40-113HL	NON-HANDLE SIDE BEARING
15	15-113H	DOG	40A	120-113H	NON-HANDLE SIDE BEARING O-RING
16	16-113H	LOWER BRIDGE SCREW	50	50-113HLW	FRAM COVER POST
17	17-113H	UPPER BRIDGE SCREW	54	54-113	HARNES LUG
18	18-60	CLUTCH SPRING	62	62-309	CLICK SPRING
19	19-113	ECCENTRIC	62A	63-209	CLICK SPRING SCREW
20	20-155	ECCENTRIC SPRING	69	69B-600	RETAINING RING
21	21-66	ECCENTRIC LEVER	98	98-320	GEAR SLEEVE
22	22-99	ECCENTRIC SCREW	149	149-45	CLAMP NUT
23	23-114	HANDLE SCREW	149A	149-200	HEX NUT
23A	110-60	HANDLE LOCK SCREW	183	183-113HSPT	FRAME W/ STAND
24	24-349H	HANDLE			
26	26-113H	HANDLE SIDE BEARING			
27	27N-113H	NON-HANDLE SIDE PLATE			

NOTE: Many of [www.pennparts.com](http://www.pennparts.com) schematics include changes that were either made by Penn, or errors found and corrected by our parts dept.

SBT Ver. 112207

NOTES: 50-113HLW was originally called 37C-113HLW on older schematics which caused some confusion as this # belonged to the frame bar on the original versions