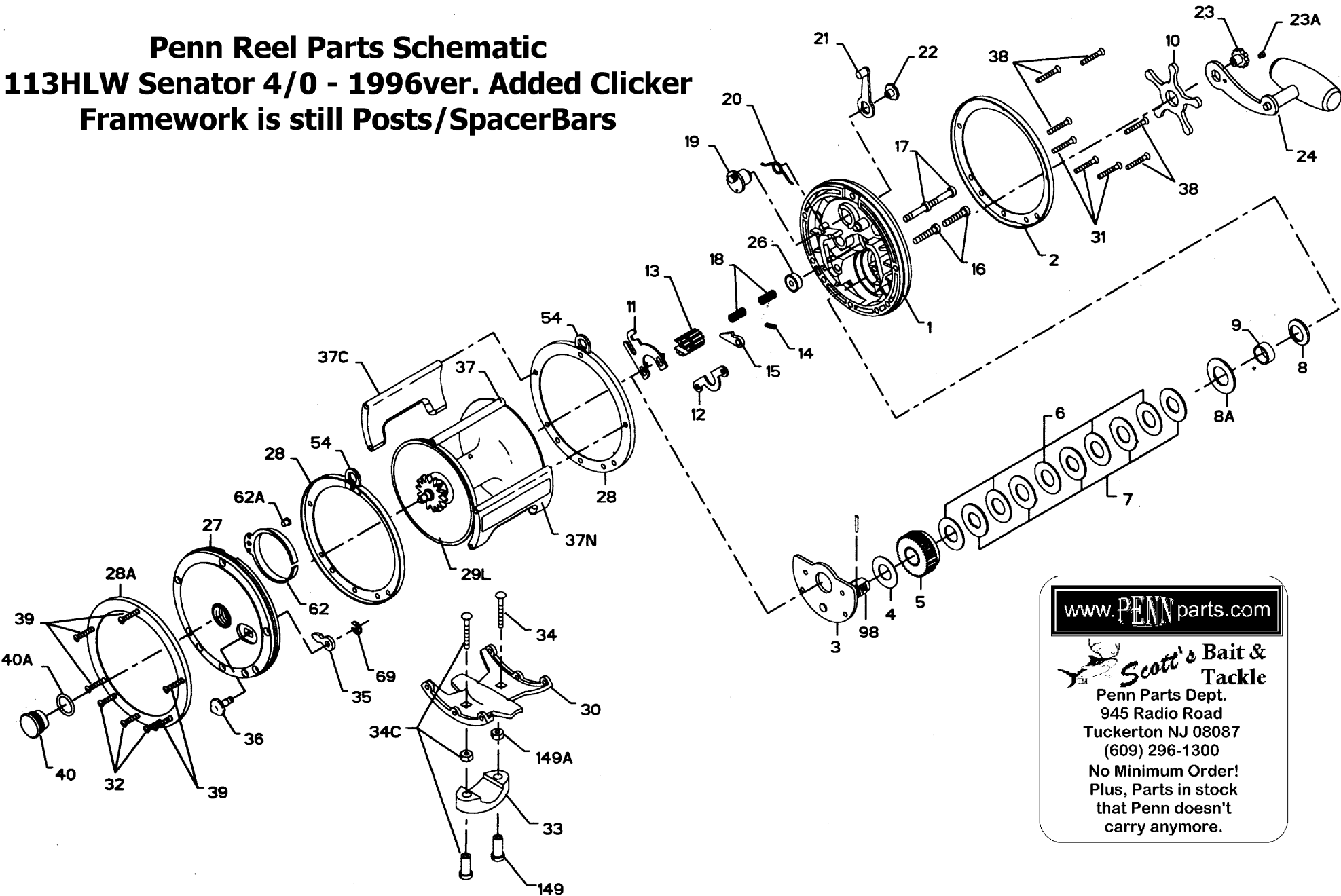


# Penn Reel Parts Schematic

## 113HLW Senator 4/0 - 1996ver. Added Clicker

Framework is still Posts/SpacerBars



[www.PENNparts.com](http://www.PENNparts.com)

**Scott's Bait & Tackle**

Penn Parts Dept.  
945 Radio Road  
Tuckerton NJ 08087  
(609) 296-1300

No Minimum Order!  
Plus, Parts in stock  
that Penn doesn't  
carry anymore.

# Penn Reel Parts list for Model: 113HLW 1996 Bars/Posts

KEY PART			KEY PART		
NO	NO.	DESCRIPTION	NO	NO.	DESCRIPTION
1	1-113H	HANDLE SIDE PLATE	28	2-113-I	INNER SIDE RING
2	2-113H-O	OUTER RING SIDE RING	28A	2-113-O	OUTER NON-HANDLE SIDE RING
3	3-113H	BRIDGE W/ SLEEVE	29L	29L-113HLW	SPOOL
4	4-349	FIBER WASHER	30	30-113HLW	STAND
5	5-113H	MAIN GEAR	31	32-18	HANDLE SIDE STAND SCREW (3 REQ)
6	6-113H	DRAG WASHER (5 REQ.)	32	32-17	NON-HANDLE SIDE STAND SCREW (3REQ)
7	7C-113H	METAL WASHER SET	33	33-113	ROD CLAMP
8	8-349	TENSION SPRING	*	33R-200	RINGED ROD CLAMP (OPTIONAL)
8A	18-970	TENSION SPRING DRAG	34	34-45	CLAMP SCREW (ONLY)
9	9-113H	SPACING SLEEVE	34C	34C-45	ROD CLAMP SCREW W/ NUTS
10	10-349	STAR DRAG WHEEL	35	35-60	CLICK TONGUE
11	11-113	ECCENTRIC JACK	36	36-113	CLICK BUTTON
12	12-60	PINION YOKE	37	37-113HLW	FRAME POST
13	13-113H	PINION	37C	37C-113HLW	FRAME BAR ("Penn Senator II)
14	14-99	DOG SPRING	37C	37N-113HLW	FRAME BAR ("113HLW")
15	15-113H	DOG	38	39-9	HANDLE SIDE POST SCREW
16	16-113H	LOWER BRIDGE SCREW	39	39-3	NON-HANDLE SIDE SCREW
17	17-113H	UPPER BRIDGE SCREW	40	**40-113HL	NON-HANDLE SIDE BEARING
18	18-60	CLUTCH SPRING	40A	120-113H	NON-HANDLE SIDE BEARING O-RING
19	19-113	ECCENTRIC	54	54-113	HARNES LUG
20	20-155	ECCENTRIC SPRING	62	62-309	CLICK SPRING
21	21-66	ECCENTRIC LEVER	62A	63-209	CLICK SPRING SCREW
22	22-99	ECCENTRIC SCREW	69	69B-600	RETAINING RING
23	23-114	HANDLE SCREW	98	98-320	GEAR SLEEVE
23A	110-60	HANDLE LOCK SCREW	149	149-45	CLAMP NUT
24	24-349H	HANDLE	149A	149-200	HEX NUT
26	26-113H	HANDLE SIDE BEARING			
27	27N-113H	NON-HANDLE SIDE PLATE			

NOTE: Many of [www.pennparts.com](http://www.pennparts.com) schematics include changes that were either made by Penn, or errors found and corrected by our parts dept.

SBT Ver. 112207