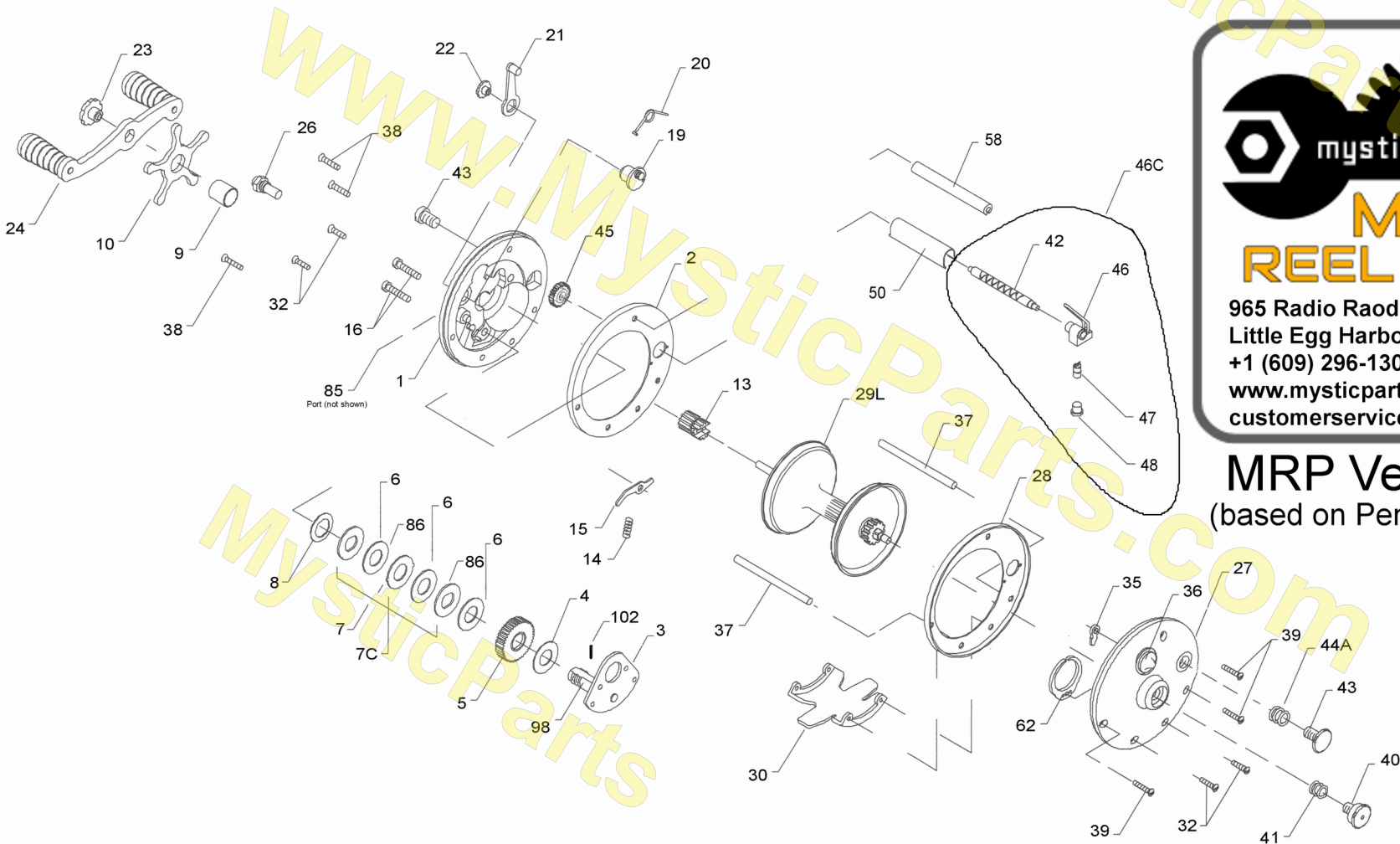




PARTS AND PRICE LIST FOR MODEL 109-LH aka 109M-LH



mysticparts.com

MYSTIC REEL PARTS

965 Radio Raod
Little Egg Harbor, NJ 08087
+1 (609) 296-1300
www.mysticparts.com
customerservice@mysticparts.com

MRP Ver. 063022
(based on Penn's Rev ? 2001)

PENN SCHEMATIC PARTS LIST FOR 109-LH aka 109M-LH Peerless reel (LEFT HAND)

KEY	PUREFISHING	PART	
NO	PART NO	NO.	DESCRIPTION
1	1180446	1-109LH	HANDLE SIDE PLATE, BLACK (LEFT HAND)
2	<i>See design changes below</i>		
3	1180696	3-109LH	BRIDGE W/ SLEEVE (LEFT HAND)
4	1180772	4-155	FIBER WASHER
5	1180842	5-109LH	MAIN GEAR (LEFT HAND)
6	1180915	6-155	DRAG WASHER HT100 (USES 3)
6C	1180392	6-155SP	DRAG WASHER KIT 6 PCS
7	1181014	7-155	WASHER, EARRD METAL WASHER (USES 1)
7	1181047	7C-155	DRAG WASHER (METAL SET)
8	1181056	8-60	TENSION WASHER
9	1181143	9-60	SPACING SLEEVE
10	1181190	10-180LH	STAR DRAG (LEFT HAND)
13	1181315	10-180LH	PINION GEAR (LEFT HAND)
14	1181394	14-109	DOG SPRING
15	1181434	15-109	DOG
16	1181565	16-60CH	LOWER BRIDGE SCREW (2 REQ.)
19	1181660	19-109LH	ECCENTRIC (LEFT HAND)
20	1181764	20-109	ECCENTRIC SPRING
21	1181843	21-109	ECCENTRIC LEVER
22	1181912	22-109	ECCENTRIC SCREW
23	1181948	23-180	HANDLE SCREW
24	<i>See design changes below</i>		
26	1182115	26-109	HANDLE SIDE BEARING
27	1182188	27-109LH	NON-HANDLE SIDE PLATE (LEFT HAND)
28	1182367	28-109	NON-HANDLE SIDE RING
29L	1182505	29L-109	SPOOL, ALUMINUM (BLACK)
29m	N/A	29M-109	SPOOL, METAL (CHROME OVER BRONZE)

KEY	PUREFISHING	PART	
NO	PART NO	NO.	DESCRIPTION
30	<i>See design changes below</i>		
31/32	1182706	32-22	STAND SCREW (2 REQ. PER SIDE)
35	1182919	35-155	CLICK TONGUE
36	1182988	36-109	CLICK BUTTON (Old Mushroom/Peened in)
37	1183064	37-109	FRAME POST (2 REQ.)
38/39	1183177	39-1	POST SCREW (3 REQ. PER SIDE)
40	1183269	40-109	NON-HANDLE SIDE BEARING
41	1183329	41-109	NON-HANDLE SIDE BEARING SPRING
42	1183345	42-109	WORM
43	1183375	43-109	HANDLE SIDE WORM BEARING
44	1183469	44N-109	NON-HANDLE SIDE WORM BEARING
44A	1183927	57-109	WORM BEARING SPRING
45	1183483	45-109LH	WORM GEAR (LEFT HAND)
46		46-109LH	LINE GUIDE (LEFT HAND)
47	1183614	47-109	PAWL
48	1183699	48-109	PAWL COVER
50	1183752	50-109	WORM SHEILD
58	1183948	58-109	SLOTTED POST
62	N/A	62-155	CLICK SPRING (PART OF PLATE NOT REPLACEABLE)
85	N/A	85-109	OIL PORT SIDE PLATE INSERT
86	1184259	86-155	WASHER, ROUND KEYED METAL DRAG WASHER (USES 2)
98	1184341	98-155LH	GEAR SLEEVE (LEFT HAND)
102	1184408	102-60	GEAR SLEEVE PIN

MYSTIC REEL PARTS REVISION!

NOTE: Many of www.mysticparts.com schematics include changes that were either made by Penn, or errors found and corrected by our parts dept.
MRP Ver 063022 (based on Penn's Rev. #? 2021)

DESIGN CHANGES AND OTHER NOTES

KEY	PUREFISHING	PART	
NO	PART NO	NO.	DESCRIPTION
2	N/A	2-109	HANDLE SIDE RING, (CHROME OVER BRONZE)
	1180607	2N-109	HANDLE SIDE RING (STAINLESS STEEL MATTE)
30	1182647	30N-9	STAND, MODERN (2 7/16")
		30-109F	STAND, FRESHWATER SHORTER VERSION 1940'S (2 3/8")
		30-109S	STAND, SALTWATER SHORTER VERSION 1940'S (2 11/16")
There is NO info on a compatible stand that uses a clamp			
24	1181996	24-109	HANDLE, DUAL KNOBS

*This handle does NOT use a locking screw
if you change to a different compatible
handle, rememober to order the 110-60 screw*

THESE PARTS DO NOT EXIST IN THE 109 LIKE IN THE OTHER PEER, PEERLESS MODELS

KEY	PART	
NO	NO.	DESCRIPTION
11		ECCENTRIC JACK
12		PINION YOKE
17		UPPER BRIDGE SCREW (2 REQ.)
18		CLUTCH SPRING
23A aka 110		HANDLE LOCK SCREW (not used on the 24-109 handle)
40A		CAP FOR THE NON-HANDLE SIDE BEARING - CAP ONLY
55		SPOOL BEARING
63		CLICK SPRING SCREW
64		IDLER GEAR
65		IDLER GEAR SCREW
66		LEVEL WIND DRIVE GEAR
67		DRIVE GEAR LCOK SPRING

9, 10, 209, 309 sizes have the above parts

**The 109 reel DOES NOT. We believe this reel came out first.
The levelwind gear key #45 is on the HANDLE side in the 109
and is driven by interacting with the #13 pinion gear.**