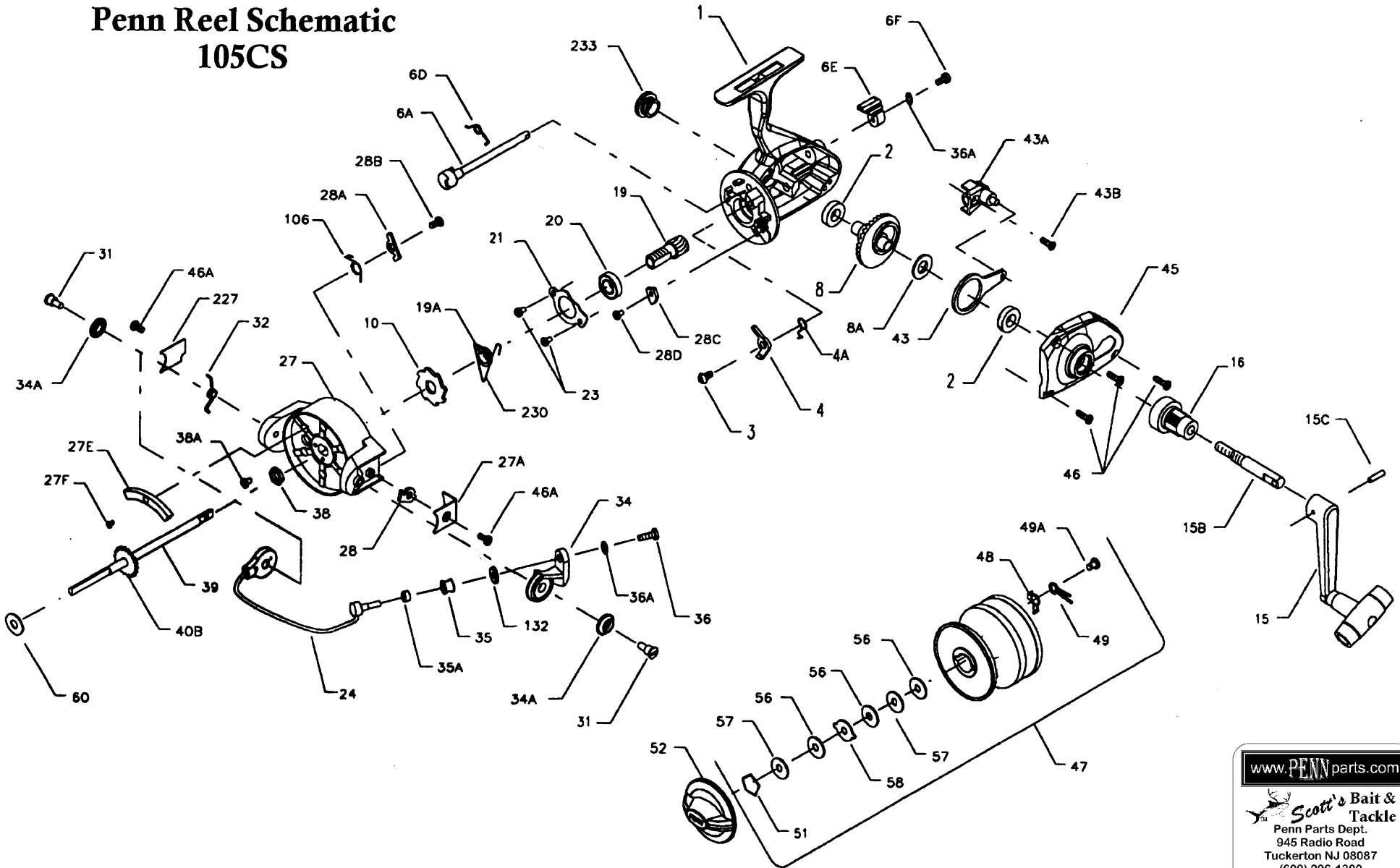


Penn Reel Schematic 105CS



www.PENNparts.com

Scott's Bait & Tackle
 Penn Parts Dept.
 945 Radio Road
 Tuckerton NJ 08087
 (609) 296-1300
 No Minimum Order!
 Plus, Parts in stock
 that Penn doesn't
 carry anymore.

Penn Reel Parts list for Model: 105CS

KEY NO	PART NO.	DESCRIPTION	KEY NO	PART NO.	DESCRIPTION
1	1-105CS	HOUSING W/BUSHING & EMBLEM	32	32-105C	BAIL SPRING
2	2-105	HOUSING BUSHING (2 REQ.)	34	34-105CS	BAIL ARM
3	3-105C	DOG MOUNTING SCREW	34A	34A-103	BAIL ARM SPACER (2 REQ.)
4	4-105C	DOG	35	35-103CS	LINE ROLLER
4A	4A-105CS	DOG SPRING	35A	35A-103CS	LINE ROLLER BUSHING
6A	6A-105C	ECCENTRIC	36	36-103CS	BAIL STUD SCREW
6D	6D-105	ECCENTRIC SPRING	36A	36A-103	LOCK WASHER (2 REQ.)
6E	6E-105	ECCENTRIC LEVER	38	38-105	ROTOR NUT
6F	31-101	ECCENTRIC LEVER MOUNTING SCREW	38A	38A-103CS	ROTOR NUT SCREW
8	8-105C	MAIN GEAR ASSEMBLY	39	39-105CS	CROSSWIND SHAFT
8A	8A-105	MAIN GEAR SHIM	40B	40B-105CS	CLICK RATCHET
10	10-105C	ANTI-REVERSE RATCHET	43	43-105C	CROSSWIND ARM
15	15-105	HANDLE	43A	43A-105C	CROSSWIND BLOCK
15B	15B-105	HANDLE SHAFT	43B	43B-105	CROSSWIND ARM SCREW
15C	15C-105	HANDLE PIVOT PIN	45	45-105CS	HOUSING COVER W/BUSHING
16	16-105	HANDLE COLLAR	46	46-103	HOUSING COVER SCREW (4 REQ.)
19	19-105C	PINION GEAR	46A	46A-103	ROTOR END COVER SCREW (2 REQ.)
19A	19A-105C	PINION GEAR SPACER	47	47-105CS	SPOOL (COMPLETE)
20	20-105C	BALL BEARING	48	48-103CS	CLICK TONGUE
21	21-105C	BEARING COVER	49	49-103CS	CLICK SPRING
23	23-103	BEARING COVER SCREW (2 REQ.)	49A	22-103CS	CLICK SPRING SCREW
24	24-105CS	BAIL WIRE	51	51-105	RETAINING RING
27	27-105CS	ROTOR CUP	52	52-105CS	DRAG KNOB
27A	27A-105C	ROTOR END COVER	56	56T-105	DRAG WASHER (TEFLON) (3 REQ.)
27E	27E-105CS	BALANCE WEIGHT	57	57-105	DRAG WASHER (KEYED) (2 REQ.)
27F	27F-105CS	BALANCE WEIGHT SCREW	58	58-105	DRAG WASHER (EAR)
28	28-105C	TRIP LEVER	60	60-103	THRUST WASHER (TEFLON)
28A	28A-105C	CAM LEVER	106	106-105C	CAM LEVER SPRING
28B	28B-103	CAM LEVER MOUNTING SCREW	132	132-103CS	ROLLER WASHER
28C	28C-105C	TRIP CAM	227	227-105C	BAIL SPRING COVER
28D	46A-103	CAM MOUNT SCREW	230	230-105C	SILENT DOG SPRING
31	31-103	BAIL ARM SCREW (2 REQ.)	233	233-105	HOUSING HANDLE CAP

NOTE: Many of www.pennparts.com schematics include changes that were either made by Penn, or errors found and corrected by our parts dept.