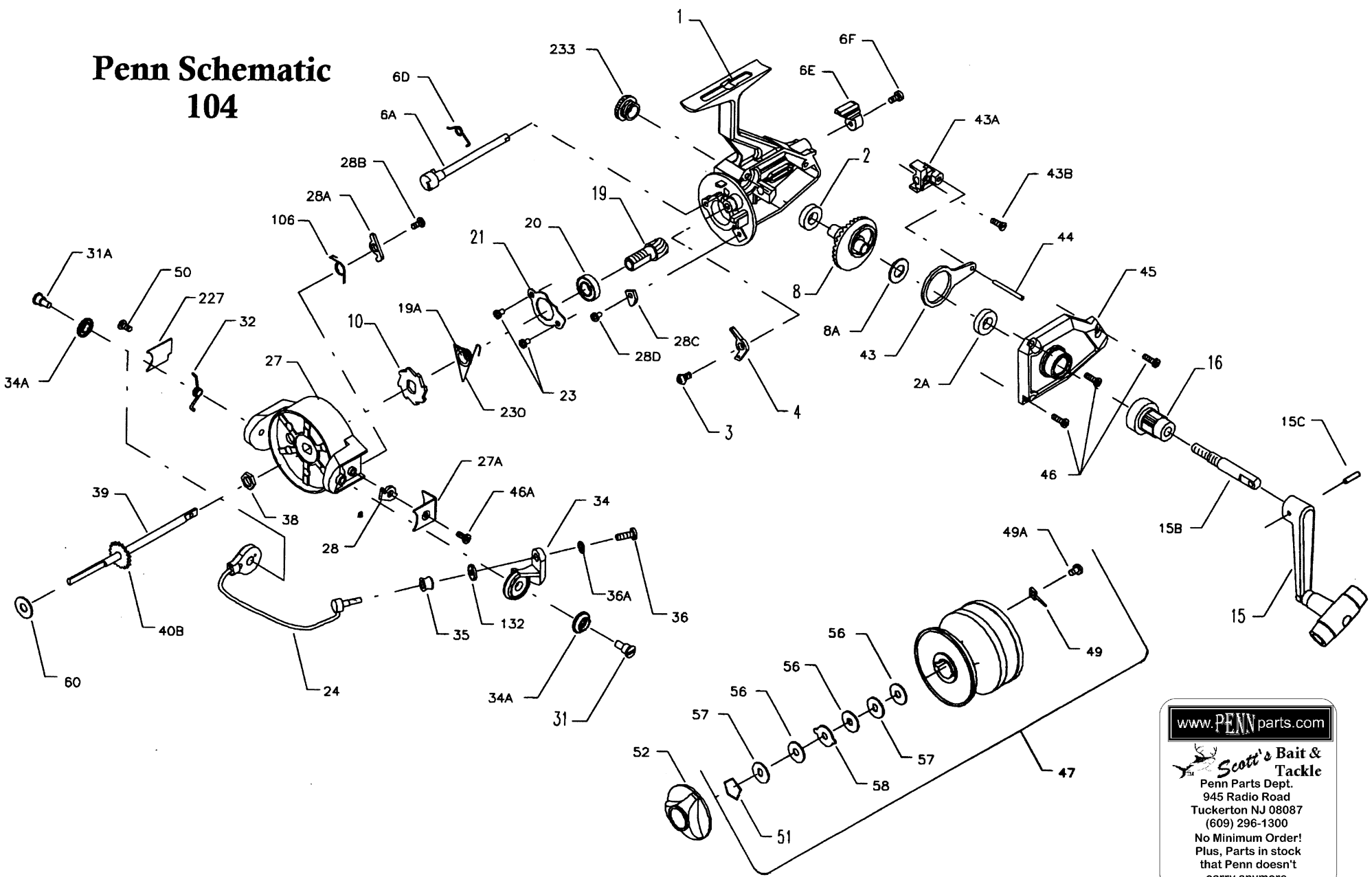


# Penn Schematic 104



www.PENNparts.com

**Scott's Bait & Tackle**  
 Penn Parts Dept.  
 945 Radio Road  
 Tuckerton NJ 08087  
 (609) 296-1300  
 No Minimum Order!  
 Plus, Parts in stock  
 that Penn doesn't  
 carry anymore.

# Penn Reel Parts list for Model: 104

KEY	PART		KEY	PART	
NO	NO.	DESCRIPTION	NO	NO.	DESCRIPTION
1	1-104	HOUSING W/ BUSHING & EMBLEM	32	32-104	BAIL SPRING
2	2-103	HOUSING BUSHING	34	34-104	BAIL ARM
2A	2A-103	COVER BUSHING	34A	34A-105	BAIL ARM SPACER
3	3-104	DOG MOUNTING SCREW	35	35-104	LINE ROLLER
4	4-104	DOG W/ FINGER SPRING	36	36-104	BAIL STUD SCREW
6A	6A-104	ECCENTRIC	36A	36A-105	LOCK WASHER
6D	6D-104	ECCENTRIC SPRING	38	38-104	ROTOR NUT
6E	6E-103	ECCENTRIC LEVER	39	39-104	CROSSWIND SHAFT
6F	6F-101	ECCENTRIC LEVER MOUNTING SCREW	40B	40B-104	CLICK RATCHET
8	8-104	MAIN GEAR ASSEMBLY	43	43-104	CROSSWIND ARM
8A	8A-104	MIAN GEAR SHIM	43A	43A-104	CROSSWIND BLOCK
10	10-104	ANTI-REVERSE RATCHET	43B	43B-105	CROSSWIND ARM SCREW
15	15-104	HANDLE (COMPLETE)	44	44-104	CROSSWIND ARM PIN
15B	15B-104	HANDLE SHAFT	45	45-104	HOUSING COVER W/ BUSHING
15C	15C-103	HANDLE PIVOT PIN	46	46-103	HOUSING COVER SCREW (2 REQ.)
16	16-103	HANDLE COLLAR	46A	31-101	ROTOR END COVER SCREW
19	19-104	PINION GEAR	47	47-104	SPOOL (COMPLETE)
19A	19A-104	PINION GEAR SPACER	49	49-103	CLICK SPRING
20	20-104	BALL BEARING	49A	3-101	CLICK SPRING SCREW
21	21-104	BEARING COVER	50	50-104	BAIL SPRING COVER SCREW
23	23-104	BEARING COVER SCREW (2 REQ.)	51	51-104	RETAINING RING
24	24-104	BAIL WIRE	52	52-104	DRAG KNOB
27	27-104	ROTOR CUP	56	56T-104	DRAG WASHER (TEFLON) (3 REQ.)
27A	27A-104	ROTOR END COVER	57	57-104	DRAG WASHER (KEYED) (2 REQ.)
28	28-104	TRIP LEVER	58	58-104	DRAG WASHER (EAR)
28A	28A-104	CAM LEVER	60	60-103	THRUST WASHER (TEFLON)
28B	28B-104	CAM LEVER MOUNTING SCREW	106	106-104	CAM LEVER SPRING
28C	28C-104	TRIP CAM	132	132-104	ROLLER WASHER
28D	46A-103	CAM MOUNTING SCREW	227	227-104	BAIL SPRING COVER
31	31A-103	BAIL ARM SCREW	230	230-103C	SILENT DOG SPRING
31A	31A-103	BAIL WIRE MOUNTING SCREW	233	233-104	HOUSING HANDLE CAP

NOTE: Many of [www.pennparts.com](http://www.pennparts.com) schematics include changes that were either made by Penn, or errors found and corrected by our parts dept.

Last update 8/15/03