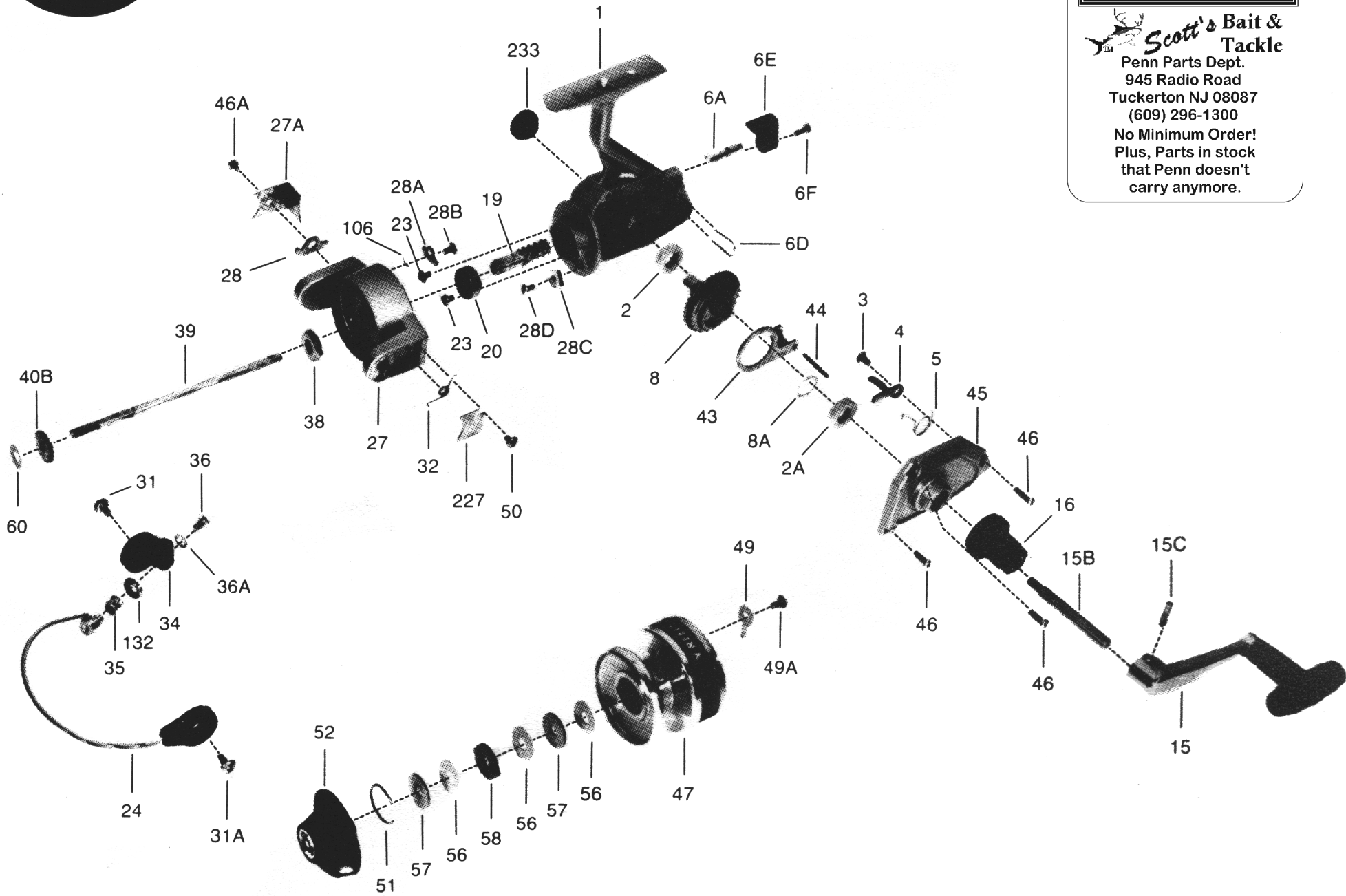




# PARTS LIST FOR MODEL 101

[www.PENNparts.com](http://www.PENNparts.com)

**Scott's Bait & Tackle**  
Penn Parts Dept.  
945 Radio Road  
Tuckerton NJ 08087  
(609) 296-1300  
No Minimum Order!  
Plus, Parts in stock  
that Penn doesn't  
carry anymore.



## Penn Reel Parts list for Model: 101

KEY PART			KEY PART		
NO	NO.	DESCRIPTION	NO	NO.	DESCRIPTION
1	1-101	HOUSING W/ BUSHING EMBLEM	31A	31-101	BAIL WIRE MTG SCREW
2	2-101	HOUSING BUSHING	32	32-101	BAIL SPRING
2A	2A-101	COVER BUSHING	34	34-101	BAIL ARM
3	3-101	DOG MOUNTING SCREW	35	35-101	LINE ROLLER
4	4-101	DOG	36	36-101	ROLLER MTG SCREW
6A	5-101	DOG SPRING	36A	36A-101	ROLLER LOCK WASHER
6D	6A-103	ECCENTRIC	38	38-101	ROTOR NUT
6E	6D-103	ECCENTRIC SPRING	39	39-101	CROSSWIND SHAFT
6F	6E-103	ECCENTRIC LEVER	40B	40B-101	CLICK RATCHET
8	6F-101	ECCENTRIC LEVER MTG SCREW	43	43-101	CROSSWIND ARM
8A	8-101	MAIN GEAR ASSEMBLY	44	44-101	CROSSWIND ARM PIN
10	8A-101	MAIN GEAR SHIM	45	45-101	HOUSING COVER W/ BUSHING
15	15-101	HANDLE	46	46-101	HOUSING COVER SCREW
15B	15B-101	HANDLE SHAFT	46A	28D-101	ROTOR END COVER SCREW
15C	15C-101	HANDLE PIVOT PIN	47	47-101	SPOOL (COMPLETE)
16	16-101	HANDLE COLLAR	49	49-101	CLICK SPRING
19	19-101	PINION GEAR	49A	3-101	CLICK SPRING SCREW
20	20-101	BALL BEARING	50	3-101	BAIL SPRING COVER SCREW
23	23-101	BEARING COVER SCREW	51	51-101	RETAINING RING
24	24-101	BAIL WIRE	52	52-101	DRAG KNOB
27	27-101	ROTOR CUP	56	56T-101	DRAG WASHER (TEFLON)
27A	27A-101	ROTOR END COVER	57	57-101	DRAG WASHER (KEYED)
28	28-101	TRIP LEVER	58	58-101	DRAG WASHER (EAR)
28A	28A-101	CAM LEVER	60	60-101	THRUST WASHER (TEFLON)
28B	28B-101	CAM LEVER MTG SCREW	106	106-101	CAM LEVER SPRING
28C	28C-101	TRIP CAM	132	132-101	ROLLER WASHER
28D	28D-101	CAM MOUNT SCREW	227	227-101	BAIL SPRING COVER
31	31-101	BAIL ARM SCREW	233	233-101	HOUSING HANDLE CAP

NOTE: Many of [www.pennparts.com](http://www.pennparts.com) schematics include changes that were either made by Penn, or errors found and corrected by our parts dept.