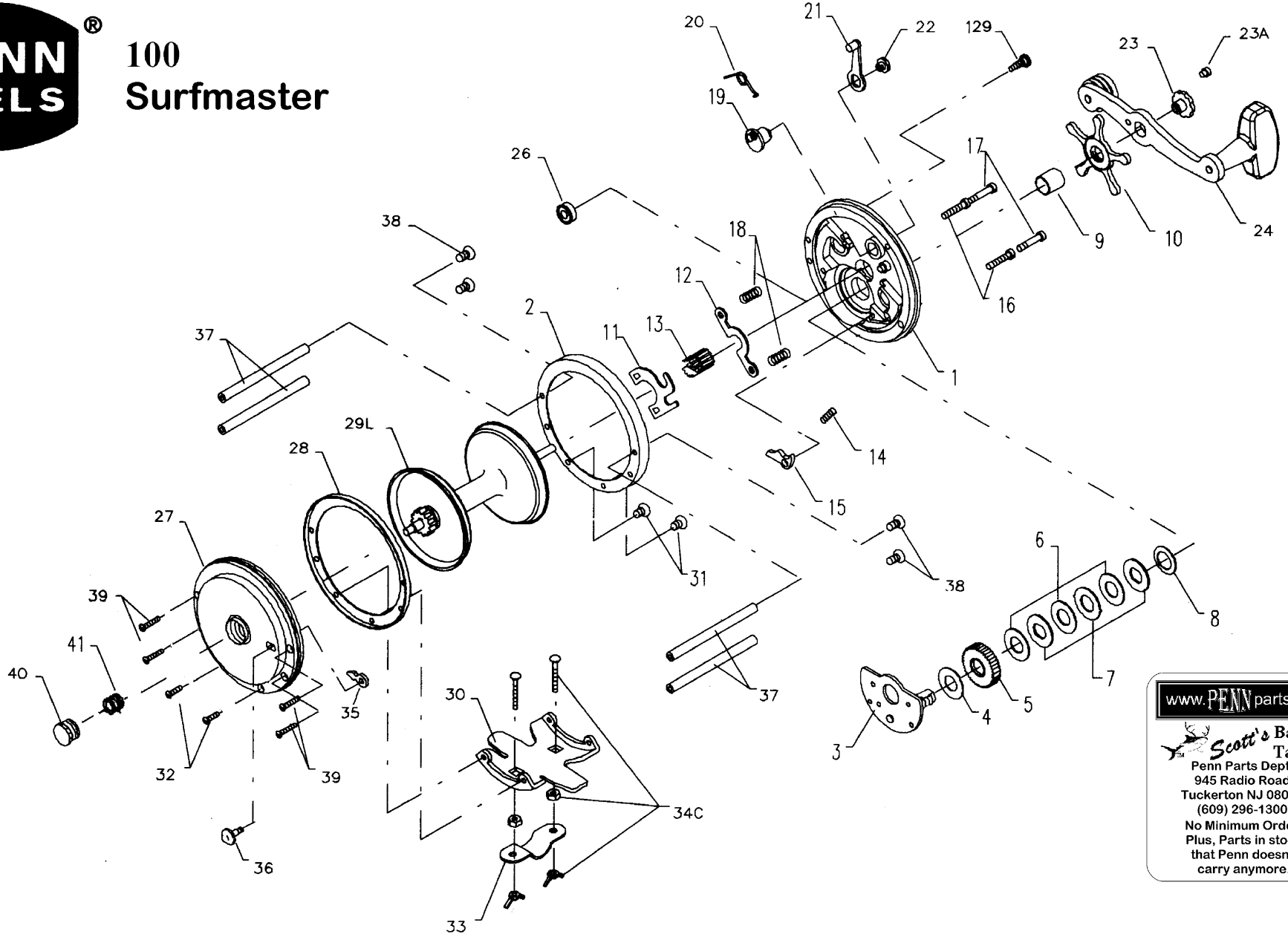




# 100 Surfmaster



www.PENNparts.com

**Scott's Bait & Tackle**  
 Penn Parts Dept.  
 945 Radio Road  
 Tuckerton NJ 08087  
 (609) 296-1300  
 No Minimum Order!  
 Plus, Parts in stock  
 that Penn doesn't  
 carry anymore.

## Penn Reel Parts list for Model: 100 Surfmaster

KEY	PART		KEY	PART	
NO	NO.	DESCRIPTION	NO	NO.	DESCRIPTION
1	1N-100	R.S. PLATE	23	23-60	HANDLE SCREW
2	2-200	INNER R.S. RING	23A	110-60	HANDLE LOCK SCREW
3	3-200	BRIDGE W/ SLEEVE	24	24N-160	COMPLETE HANDLE
4	4-155	FIBER WASHER	26	26-155	R.S. BEARING
5	5-60	MAIN GEAR	27	27-200	L.S. PLATE
6	6-60	DRAG WASHER	28	2-155	INNER L.S. RING
7	7C-60	METAL DISC SET	29	29L-100	ALUMINUM SPOOL
8	8-60	TENSION SPRING	29M	29M-100	METAL SPOOL
9	9-60	SPACING SLEEVE	30	30-49	STAND
10	10-60	STAR DRAG	31	31-19	R.S. STAND SCREW
11	11-200	ECCENTRIC JACK	32	32-16CH	L.S. STAND SCREW
12	12-155	PINION YOKE	33	33-49	ROD CLAMP
13	13-200	PINION	34	34-49	CLAMP SCREW
14	14-155	DOG SPRING	35	35-155	CLICK TONGUE
15	15-200	DOG	36	36-60CH	CLICK BUTTON
16	16-60CH	LOWER BRIDGE SCREW	37	37-180	POST FRAME
17	17-70CH	UPPER BRIDGE SCREW	38	38-7	R.S. POST SCREW
18	18-60	CLUTCH SPRING	39	39-5	L.S. POST SCREW
19	19-200	ECCENTRIC	40	40-60	L.S. BEARING
20	20-155	ECCENTRIC SPRING	41	41-60	SPRING
21	21-200	ECCENTRIC LEVER	129	129-200	TAKE APART THUMB SCREW
22	22-99	ECCENTRIC SCREW			

NOTE: Many of [www.pennparts.com](http://www.pennparts.com) schematics include changes that were either made by Penn, or errors found and corrected by our parts dept.

LAST UPDATE 6/19/03