

Penn reels SERIES Z



Penn Fishing Tackle Mfg. Co.

3028 W. Hunting Park Ave.
Philadelphia, Pa. 19132
(215) 229-9415 Telex: 710 670 1450

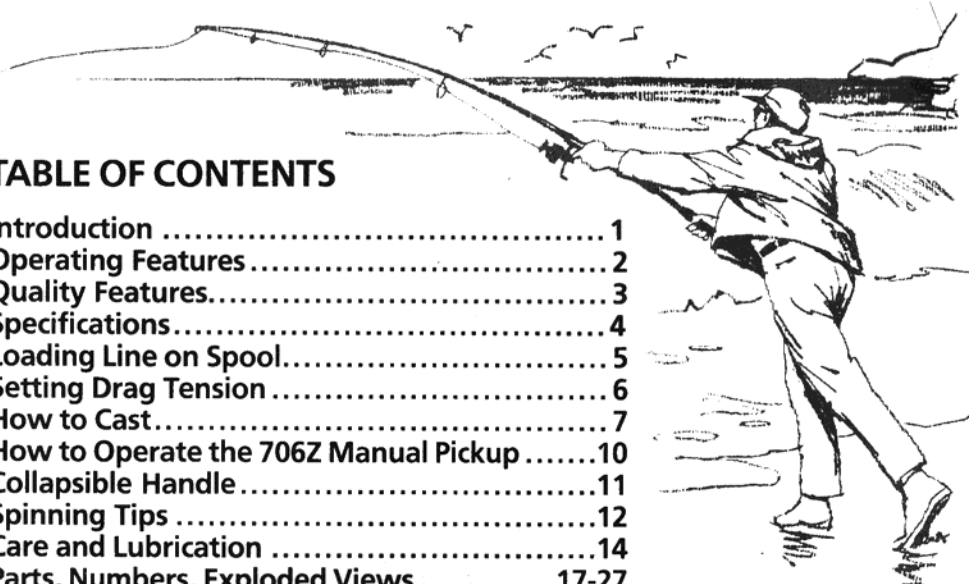


TABLE OF CONTENTS

Introduction	1
Operating Features	2
Quality Features	3
Specifications	4
Loading Line on Spool	5
Setting Drag Tension	6
How to Cast	7
How to Operate the 706Z Manual Pickup	10
Collapsible Handle	11
Spinning Tips	12
Care and Lubrication	14
Parts, Numbers, Exploded Views	17-27
How to Order Penn Reel Parts	28
Service Out of Warranty	28
Limited Warranty	29
Maintenance Record	29

INTRODUCTION

1

Congratulations on the purchase of your new Penn Spinfisher internal spool spinning reel. Your Penn Spinfisher is built to last, because each reel in the Z Series combines the finest grades of materials along with over 50 years of reel making experience. Each Penn reel is painstakingly built by master craftsmen with an attention to detail that's hard to find in today's modern, fast-paced world.

Your decision in choosing a Z Series internal spool Spinfisher is commendable, since many of today's fishermen prefer this style of spinning reel. The simple, reliable construction of each Z Series reel makes it easy to service and provides that all-important peace of mind when that fish of a lifetime smashes your lure.

Their superior drag systems helped to establish the Z Series as classic spinning reels. From the jumbo 706Z to the diminutive 716Z, all Z Series reels are earmarked by smooth, surge-free drags that hold their adjustment, even after hard use.

Gear ratios match the size and intended use of each Z Series reel, ranging from a lightning fast 5.1-1 to a powerful 3.6-1. Some special options, depending on model, are also available, such as the manual conversion kit for the 704Z.

Top all of that off with popular operating and quality features, and you realize that a Penn Z Series internal spool spinning reel is the best-wrapped package for casting, jigging, light trolling and bottom fishing.

All of us here at Penn are proud of our entire line of Z Series reels, and we are confident that your reel will perform well for many seasons. Good fishing!



drag. Models 706Z through 720Z feature a standard adjustable knob, while the 714Z and 716Z feature a push button knob to remove spool. For removal, push button with index finger, then pull spool with thumb and middle finger. For replacement, center and press spool down on shaft. Rotate slightly while pressing down to ensure proper seating. To remove 706Z through 720Z spools, simply remove drag knob first by turning knob counter-clockwise. Then lift spool off shaft.

SELECTIVE CLICK ANTI-REVERSE: Allows turning handle forward only or turning handle both forward and backward. When anti-reverse is on, handle turns forward only and anti-reverse clicks. When anti-reverse is off, the option of turning handle both ways is handy for letting out line or positioning lure prior to casting.

COLLAPSIBLE HANDLE: Handle collapses for storage and transportation.

STAINLESS STEEL BAIL: Closes automatically by turning handle forward. All Z Series reels feature an internal trip, which functions best when the roller is positioned top-side, closest to the rod. This is also the most convenient location for picking line up from the roller for casting.

DRAG KNOB: Turn clockwise to increase drag. Turn counter-clockwise to decrease

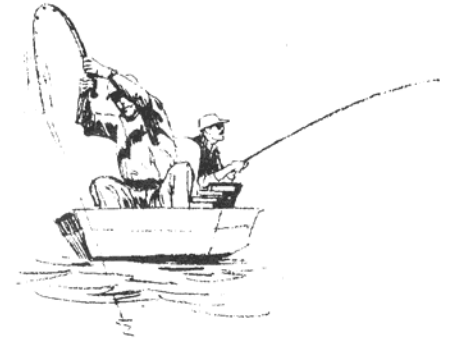
SPECIFICATIONS

MODEL	ACTION	LINE CAPACITY (YDS./MONO)	GEAR RATIO	WEIGHT (OZ.)	SPOOL DIA.
706Z	Heavy salt and fresh	300/20	3.8-1	21	3"
704Z 705Z	Medium-heavy salt and fresh	285/15	3.8-1	21	2 23/32"
710Z 711Z	Medium salt and fresh	250/12	3.6-1	16 3/8	2 9/64"
712Z 713Z	Medium salt and fresh	200/10	4.1-1	12 3/4	2"
722Z	Light fresh and salt	150/8 200/6	5.1-1	9 3/4	1 7/8"
720Z	Light fresh and salt	150/8 200/6	4-1	9 1/2	1 7/8"
714Z	Ultra light fresh and salt	200/6 300/4	5.1-1	9 1/2	1 3/4"
716Z	Ultra light fresh and salt	150/6 225/4	5.1-1	8 1/2	1 9/16"

There are three recommended lb. test lines and corresponding capacities in the line capacity charts on the Z series spools. Metric equivalents are also listed there.

- **POWERFUL GEARS:** All main and pinion gears in the Z series are machined from the highest grade metals to withstand punishment that would tear ordinary reels up.
- **SMOOTH, DEPENDABLE DRAG SYSTEM:** Large friction washers in Penn's up front Power Drag dissipate heat fast and combine with the stainless steel metal washers for the smoothest, most durable drag system on the market. Easy to service, too!
- **BALL BEARING:** Shielded stainless steel ball bearing for easy reeling and top performance.
- **STAINLESS STEEL MAINSHAFT:** Machined, polished solid stainless steel mainshaft holds up to the pressure of any game fish.
- **LINE ROLLER:** Stainless steel, hard chrome plated, to ensure constant rolling for minimum line wear.

- **ALUMINUM SPOOL:** Heavy die cast and anodized on the 706Z and 704Z, machined and anodized on all other Z Series models.
- **HOUSING AND ROTOR CUP:** All Z series housings, rotor cups and side-plates are anodized die cast aluminum and feature a durable, baked enamel finish. For easy reference, a handy line capacity chart is shown on the rotor cup.



LOADING LINE ON SPOOL

Use only top quality monofilament fishing line. Although you may save some money buying cheaper monofilament, it will not perform to your satisfaction. And when your line starts to wear or get old, be sure to change it. The extra money you spend on new line will certainly be worthwhile.

Your local Penn dealer can fill your reel properly with the right line for your kind of fishing. If you want to wind the line on yourself, first mount the reel on your rod. Thread the line through at least one guide and open the bail. Then tie the line on the spool.

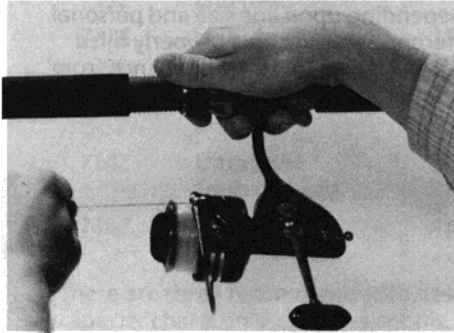
Have someone else hold the bottom of

the spool of line while you fill the reel spool. Either your partner or you should apply moderate tension for best results.

Be sure the line comes off the bulk spool in the same direction (rotation) as it goes on the reel spool. This procedure is most important to avoid twists and kinks. Usually the top label of the bulk spool facing the reel will put your line on in the right direction, but be sure to verify this before filling your reel's spool.

Depending upon line size and personal preference, the line on a properly filled spool will range 1/4 to 1/8 of an inch from the upper spool flange.

Turn drag knob clockwise to increase drag and counter-clockwise to decrease drag. Set drag tension well below breaking test of line. Drag should be set 1/3 to 1/4 of the line's breaking strength. For the most precise settings, use a spring scale. A proper drag setting builds in a safety margin should you snag or hook a large fish. Better for your drag to slip than your line to break. Check tension occasionally by pulling line

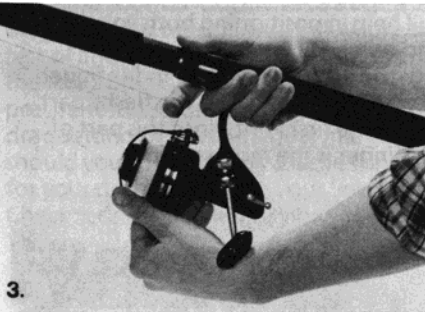


as shown. After a while, many fishermen can set the drag simply by "feel" as they pull line.

Between fishing trips, be sure to back the drag knob off all the way. This will relieve the tension on the drag washers and allow them to dry better. Backing the drag knob off will also prevent the drag washers from sticking together, thus assuring a smooth drag.

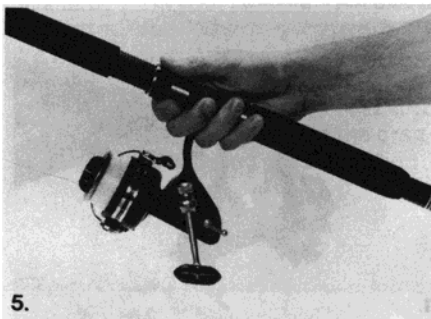
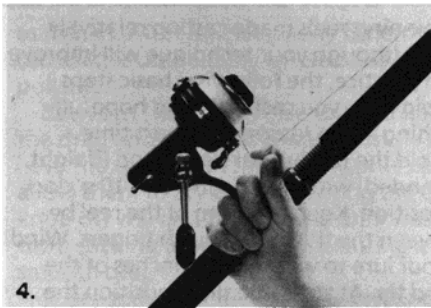
Spare spools for different lb. test lines are available from your local Penn dealer or direct from Penn. When replacing the spool, be sure it is properly seated on the shaft. Spinning the spool on the shaft before replacing the drag knob on the 706Z through 720Z will usually line up all of the drag washers, thus assuring proper seating.

should now hold the bottom of the butt for additional leverage.)



4. With your finger still holding the line and making sure the bail is open, swing the rod to a 2 o'clock position.
5. With a quick forearm action, swing the rod forward to a 10 o'clock position. At the instant you reach this position, release the line.

After you develop the feel of the rod, you will learn to "build" the rod with power while swinging it during the cast.



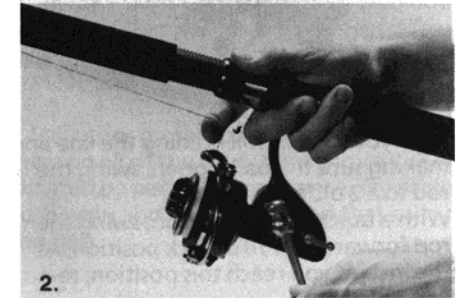
Spinning reels made casting relatively easy. Although your technique will improve with practice, the following basic steps should have you casting—and hopefully catching—in a reasonably short time.

1. Hold the rod in your right hand (if right handed) with the rod in a 9 or 10 o'clock position. Keep the stem of the reel between the third and fourth fingers. Wind your lure to within 2 to 4 inches of the rod tip. At the same time, position the roller guide directly below you index fin-



ger. Keeping your reel out of anti-reverse (so that you can turn handle both ways) will help in positioning both your lure and roller.

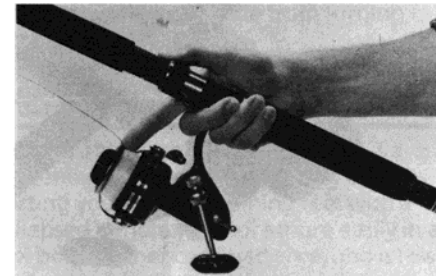
2. Pick the line up with your index finger of your right hand. Use the fleshy part above the first joint, since this part of the finger is the most sensitive.



3. Using your left hand, lift the bail over until it opens into the casting position. (On rods with longer butts, your left hand

Doing this will provide extra distance to your cast. Remember, if your lure is going to high during the cast, you are releasing the line too soon. Releasing the line too late will shorten your cast considerably. As your experience increases, you will learn the proper timing for a perfect cast.

During the cast, you may want to control distance by "feathering" the line, as shown.



Place your right index finger against the spool and apply light pressure on the moving line. Feathering the line can help you place your lure more accurately.

When your lure hits the water, close the bail automatically by turning the handle forward. As you continue to turn the handle, the bail will retrieve your line.

Many anglers like to cast with the anti-reverse off, (so that the handle can turn both ways), and then switch to anti-reverse (so that the handle will turn forward only and retrieve line) after they have hooked into a fish.

Still other prefer to fish with the anti-reverse on all of the time. Your choice will be dictated by personal preference. Try fishing both ways and use the method that suits you best.

Some fishermen prefer the manual pickup because it does away with the full bail, automatic trip and bail spring. They feel that since there are less moving parts, there's less to go wrong. They are correct in their feelings, but even though the manual pickup design is simple in itself, it requires more effort to operate.

Learning to fish a manual pickup reel is not hard, however, and it is somewhat equivalent to learning how to drive an auto with a manual transmission: after a while, you go through each step without even thinking about it.

The following are specific instructions on how to properly operate a manual pickup reel. The instructions assume that you are familiar with the basic sequence of casting a standard, full bail spinning reel. If you are not, review the How to Cast section above for proper casting techniques.

1. For a smoother, longer cast, turn the handle until the spool is more fully extended (bottom of spool even or close

to top of rotor cup). At the same time, position the roller guide below your index finger.

2. Pick the line up with your right index finger. Use the fleshy part above the first joint, since this part of the finger is the most sensitive. What you will actually have to do is pick the line away and up



Correct position for casting a manual pickup: finger holding line clear of pickup, spool fully extended, handle at a downward angle.

until it stops. You will now be able to reverse the position of the handle. Screw down the knurled knob to retain the handle in the collapsed position, as shown. Re-

SPINNING TIPS

- While fishing and retrieving lures, it is best to keep your rod in an upward position. Your rod will absorb the sudden power of a strike or snag and you will be ready to set the hook when ol' lunker head strikes.
- Be innovative while fishing. Don't be afraid or too lazy to try different lures, bait, retrieves, etc. if you're not hooking up. Using your imagination, ingenuity and persistence often spells the difference between a full stringer or fish box and just a "nice day on the water"
- Most of the time you can set the hook in a fish's jaw with a firm upward sweep of the rod. One or two sharp jabs usually does the trick, but don't overdo it, because you

reverse this procedure for fishing, being sure to check the knurled knob occasionally for tightness while fishing.

- may actually start to wear a hole in the poor fish's jaw! It certainly doesn't do the fish any good, and over-zealous hook-setting gives the fish a chance to throw the hook. And speaking of hooks, keep 'em sharp! More fish stories about "the one that got away" are started by dull hooks than by anything else. Sharp fishermen use sharp hooks.
- Always try to keep tension on the line when you have a fish on. A slack line will allow the fish another opportunity to throw the hook. Sometimes a smart fish, sensing that the jig is up, will "charge" you, and swim fast right toward you, attempting to get some slack line. Now's the time to really put that Z series spinner to

clear of the roller guide. Be sure to retain the line with your finger, since your finger is now the only thing holding your line in place.

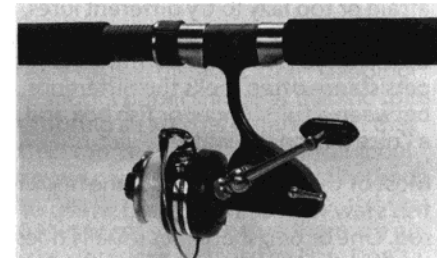
3. Now with the rod in a 9 or 10 o'clock position (upward position) turn the handle to a down position, so that the reel's handle is closer to the butt of the rod. Turning the handle to this position will help prevent the handle from turning during the cast.

4. Go ahead and cast in the usual fashion. As your lure starts dropping to the water, extend your index finger toward the spool, making light contact with the line spiraling off the spool.
5. When the lure hits the water, catch the line once again with your index finger and turn your handle so that you are able to insert the line into the roller guide. Now you are ready to retrieve the line.

COLLAPSIBLE HANDLE

Being able to collapse the handle is a convenient feature when storing or transporting your reel. A spinning reel with a collapsed handle will store more easily in a reel box or other confined area, and is less likely to catch onto anything while being transported on a rod.

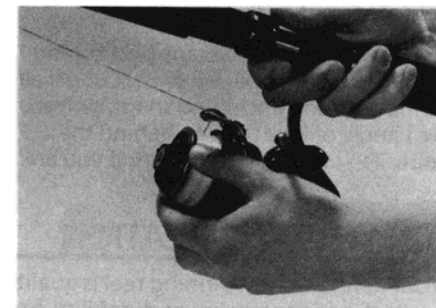
To collapse the handle on all Z Series reels, turn the gold knurled knob on the end of the handle shaft counter-clockwise



work and keep your line taut!

- When playing a fish, let the rod work for you. If the fish is taking line from the drag, keep your rod in an upward position. When bringing a fish in, "pump" the rod from a nearly vertical position down to a nearly horizontal position and back up again, cranking in the slack line only when you lower the rod.
- It is best not to adjust the drag on a big, running fish. Of course, if you suspect that your drag is too tight, causing too much strain on your tackle, loosen the drag knob by all means. But if you feel the drag is too loose, it is better to apply manual tension rather than to tighten the drag knob and risk breaking your line.

You can apply manual drag tension a number of ways. For instance, you can palm the reel with your left hand, or you can place your finger on the spool to add more pressure, as shown. Use whatever method or combination of methods that



suits you best.

- Keeping your spool full of line will increase casting distance. Line "slapping" the spool's upper flange as the line spirals off during a cast cuts distance, but that effect can be minimized by a full spool. However, you should periodically check the "working" end of your line (the first 10 feet or so) to make sure there are no nicks, abrasions, etc., in the line. Don't

hesitate to cut back if you find any.

- Sometimes, even under the best fishing conditions, your line will twist. Cut off all terminal tackle (including snaps, swivels, etc.) and troll just the line behind the boat. This will undo the twists. If you are

shore bound, feed the line out into a current to straighten the line.

- Last of all, be a sportsman. Don't litter. Respect your fellow sportsmen. And while you don't always have to catch your limit, you should always limit your catch.

CARE AND LUBRICATION

Your Penn Z Series spinning reel is quality manufactured for maximum durability, but like any precision instrument, reasonable care will ensure top performance through many seasons.

After each fishing trip, the reel should be cleaned. If you have been fishing in salt water, wipe or wash the reel with fresh water, preferably warm, to remove any accumulated salt deposits.

Should you wash the reel, be careful not to use a driving force of water, since this will force the salt deposits into the reel's internal mechanisms. Rather, use a very fine

spray to dissolve the salt on the external parts of the reel.

Dry excess moisture from the reel and then sparingly lubricate all exposed areas. Many fishermen use a pressurized spray oil for quick, easy protection after washing or wiping down their reels. Try not to get any oil on the fishing line, but should any excess spray oil get on your line, it will do no harm if you wipe the excess off. Other fishermen will apply a light coating of oil to the exposed metal parts on the reel with a rag for protection against the elements.

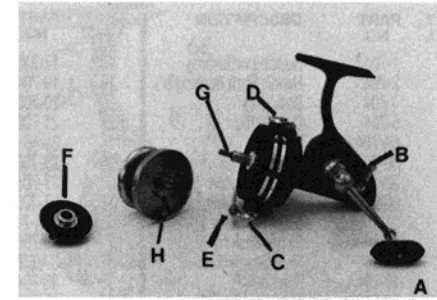
Your reel should be stored in a cool, dry

place. Do not store in a plastic bag, as the reel may develop condensation.

Periodically examine your reel and tighten loose screws and fittings. Depending upon use, your reel should be overhauled at least once every season.

Frequently lubricate all frictional points. For best results, use Penn Reels lubricant. Penn's tubes of lube are just the ticket for lubricating oil ports and applying a few drops of oil where they will do the most good. Remember, only a few drops of oil are sufficient in most cases. Do not over lubricate!

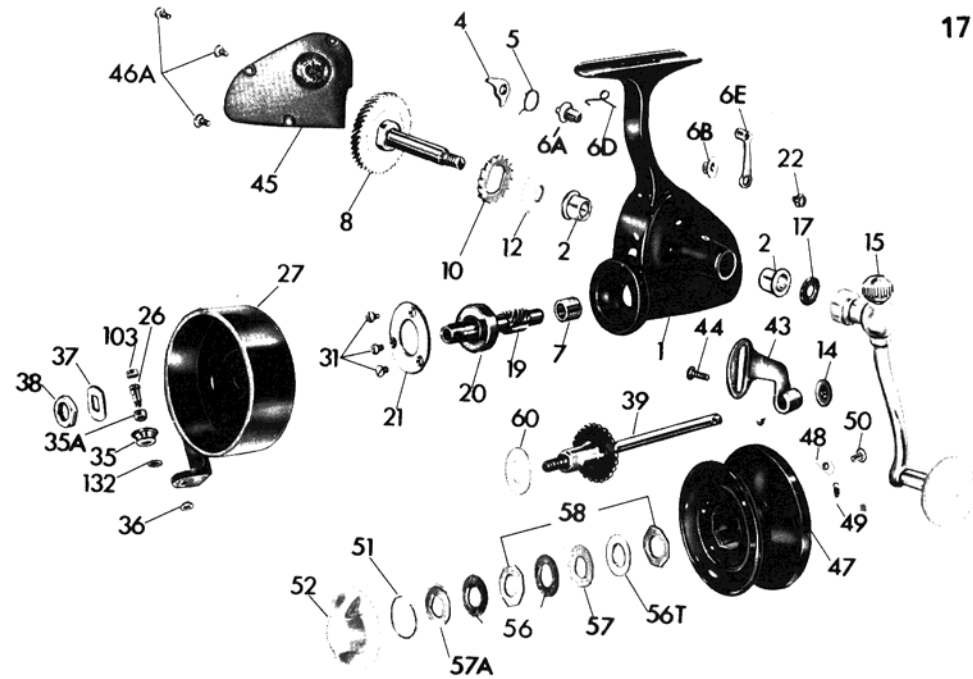
Major points are: A-Handle Knob Nipple. B-Eccentric Lever. C-Bail Trip Cam. D-Bail Arm Screws. E-Line Roller. F-Inside Drag Knob (sparingly). G-Spool Shaft Top Assembly (sparingly). H-Spool Click Spring.



PARTS LIST FOR 706Z

KEY NO.	PART NO.	DESCRIPTION	KEY NO.	PART NO.	DESCRIPTION	KEY NO.	PART NO.	DESCRIPTION
1	1-704Z	Housing w/Bushing	17	17-710	Handle Washer	45	45-706Z	Housing Plate
2	2-704	Handle Shaft Bushing	19	19-704	Pinion Gear	46 A	46A-704	Housing Plate Screw
4	4-704	Dog	20	20-700	Pinion Bearing	47	47-706Z	Spool w/ Drag Click
5	5-704	Dog Spring	21	21-706	Bearing Retainer	48	48-706	Click Tongue
6A	6A-704	Eccentric	31	31-19	Bearing Cover Screw	49	49-710	Click Spring
6B	6B-704Z	Eccentric Liner	26	26-706	Roller Shaft	50	50-704	Click Screw
22	22-109	Eccentric Screw	27	27-706Z	Rotor Cup	51	51-704	Retaining Spring
6D	6D-710	Eccentric Spring	35	35-706	Line Roller	52	52-750	Drag Knob
21	21-109	Eccentric Lever	35A	35A-706	Roller Bearing	56	6/1-60	Drag Washer
7	7-704	Pinion Bushing	36	36-706	Bail Lock Nut	56T	56T-704	Drag Washer—Teflon
8	8-704	Main Gear w/Ratchet	37	37-706	Rotor Cup Washer	57	57-704	Metal Slot Washer
10	10-704	Ratchet	38	38-704	Rotor Cup Nut	58	58-704	Metal Washer (octagon)
12	12-704	Main Gear Thrust Washer	39	39-704	Spool Shaft w/sleeve	60	60-700	Rear Drag Washer—Teflon
14	14-710	Crosswind Roller	43	43-704	Crosswind Block	103	103-706	Bearing Cap
15	15-704Z	Handle Complete	44	44-704	Crosswind Screw	132	132-706	Roller Washer

NOTE: To Owners of Penn Green Series of Spinfishers. All parts are interchangeable between the Green Series and the new Z Series except parts 1, 15, 27, 45, 47, 52. To order Green Series parts 1, 15, 27, 45, 47, 52 omit the Z suffix. (Example 1-706)

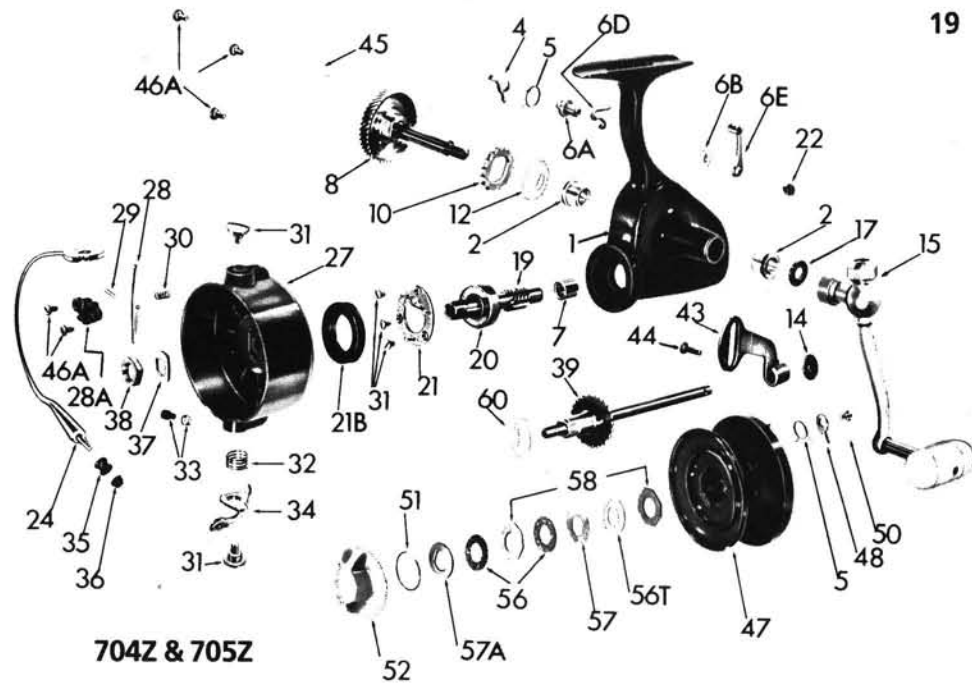


PARTS LIST FOR 704Z & 705Z

18

KEY NO.	PART NO.	DESCRIPTION	KEY NO.	PART NO.	DESCRIPTION	KEY NO.	PART NO.	DESCRIPTION
1	1-704Z*	Housing with Bushings	21B	21B-704	Rotor Brake	38	38-704	Rotor Cup Nut
4	4-704	Dog	31	31-19	Bearing Cover Screw	39	39-704	Spool Shaft w/sleeve
5	5-704*	Dog Spring	24	24-704	Bail Wire	43	43-704*	Crosswind Block
6A	6A-704*	Eccentric	27	27-704Z	Rotor Cup	44	44-704	Crosswind Screw
6B	6B-700Z	Eccentric Liner	28	28-704	Bail Release Arm	45	45-704Z*	Housing Plate
22	22-109	Eccentric Screw	28A	28A-704	Release Arm Saddle	46 A	46A-704	Housing Plate Screw
6D	6D-710	Eccentric Spring	29	29-704	Bail Release Screw	47	47-704Z	Spool w/ Drag and Click
6E	6E-704	Eccentric Lever	30	30-704	Bail Release Spring	48	48-704	Click Tongue
8	8-704*	Main Gear w/Ratchet	31	31-704	Bail Screw	5	50-704	Click Spring
10	10-700	Ratchet	32	32-704	Bail Spring	51	51-704	Retaining Spring
12	12-700	Main Gear Thrust Washer	32R	32R-704	Secondary Bail Spring	52	52-704Z	Drag Knob
14	14-710	Crosswind Roller	33	33-704	Plastic Bumper	56	6/1-60	Drag Washer
15	15-704Z*	Handle Complete	34	34-704	Bail Cam	56T	56T-704	Drag Washer-Teflon
17	17-710	Handle Washer	35	35-704	Line Roller	57	57-704	Metal Slot Washer
19	19-704	Pinion Gear	35A	35A-704	Roller Sleeve	57A	57A-704	Metal Keyed Washer
20	20-700	Pinion Bearing	36	36-700	Bail Lock Nut	58	58-704	Bail Lock Nut (Octagon)
21	21-704	Bearing Retainer	37	37-704	Rotor Cup Washer	60	60-710	Rear Drag Washer-Teflon

NOTE: To Owners of Penn Green Series of Spinfishers. All parts are interchangeable between the Green Series and the new Z Series except parts 1, 15, 27, 45, 47, 52. To order Green Series parts 1, 15, 27, 45, 47, 52 omit the Z suffix. (Example 1-704) *For 705Z order these parts with model suffix (ie 1-705Z)



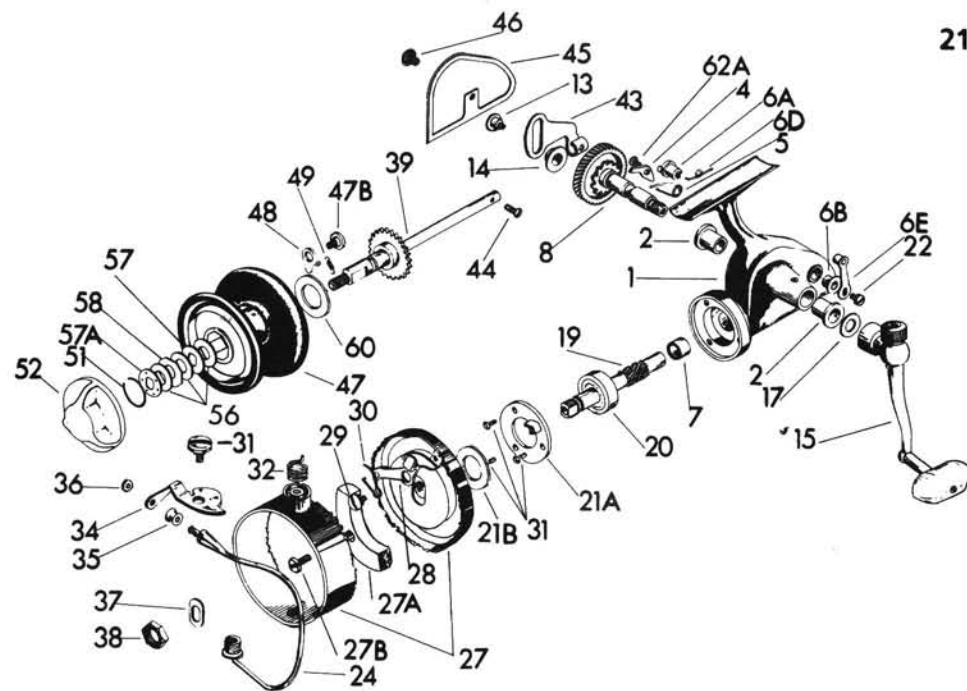
19

PARTS LIST FOR 710Z & 711Z

20

KEY NO.	PART NO.	DESCRIPTION	KEY NO.	PART NO.	DESCRIPTION	KEY NO.	PART NO.	DESCRIPTION
1	1-710Z*	Housing with Bushings	21B	21B-710	Rotor Brake	39	39-710	Spool Shaft w/sleeve
4	4-710	Dog	31	31-19	Bearing Cover Screw	43	43-710*	Crosswind Block
62A	62A-716	Screw	24	24-710	Bail Wire	44	44-710	Crosswind Screw
5	5-710*	Dog Spring	27	27-710Z	Rotor Cup	45	45-710Z*	Housing Plate
6A	6A-710*	Eccentric	27A	27A-710	Counterweight	46	46-710	Housing Plate Screw
6B	6B-700Z	Eccentric Liner	27B	27B-710	Screw	47	47-710Z	Spool w/ Drag and Click
22	22-109	Eccentric Screw	28	28-710	Bail Release Arm	47A	48A-710	Click Washer
6D	6D-710	Eccentric Spring	29	29-710	Bail Release Screw	47B	47B-710	Click Screw
6E	6E-710	Eccentric Lever	30	30-710	Bail Release Spring	48	48-710	Click Tongue
8	8-710*	Main Gear w/Ratchet	31	31-710	Bail Screw	49	49-710	Click Spring
13	13-710	Crosswind Screw	32	32-710	Bail Spring	51	51-710	Retaining Spring
14	14-710	Crosswind Roller	34	34-710	Bail Cam	52	52-710Z	Drag Knob
15	15-710Z*	Handle Complete	35	35-720	Line Roller	56	56/1-710	Drag Washer
17	17-710	Handle Washer	36	36-700	Bail Lock Nut	57	57-710	Metal Slot Washer
19	19-710	Pinion Gear	37	37-710	Rotor Cup Washer	57A	57A-710	Metal Keyed Washer
20	20-700	Pinion Bearing	38	38-710	Rotor Cup Nut	58	58-710	Metal Washer (Octagon)
21	21-710	Bearing Retainer				60	60-710	Rear Drag Washer-Teflon

NOTE: To Owners of Penn Green Series of Spinfishers. All parts are interchangeable between the Green Series and the new Z Series except parts 1, 15, 27, 45, 47, 52. To order Green Series parts 1, 15, 27, 45, 47, 52 omit the Z suffix. (Example 1-710) *For 711Z order these parts with model suffix (ie 1-711Z)



21

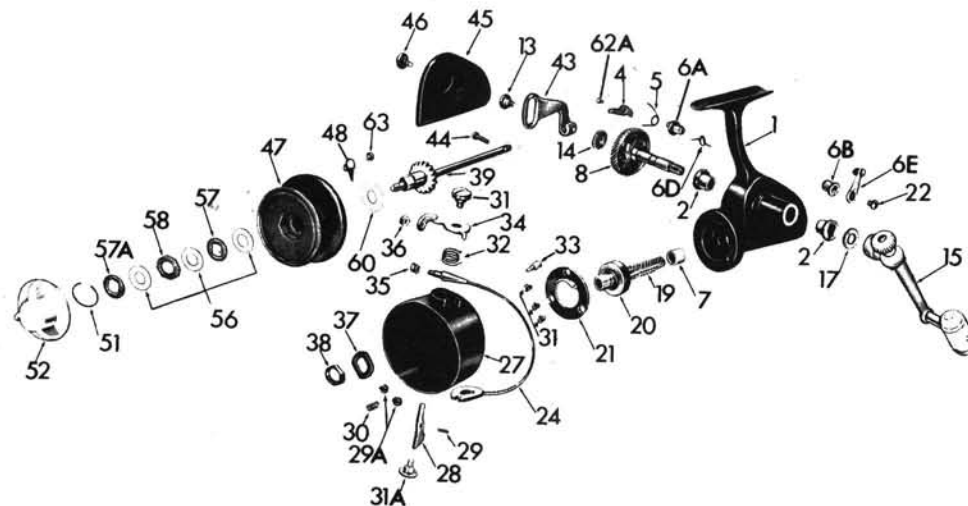
PARTS LIST FOR 712Z & 713Z

22

KEY NO.	PART NO.	DESCRIPTION	KEY NO.	PART NO.	DESCRIPTION	KEY NO.	PART NO.	DESCRIPTION
1	1-712Z*	Housing with Bushings	31	31-19	Bearing Cover Screw	38	38-710	Rotor Cup Nut
4	4-710	Dog	24	24-712	Bail Wire	39	39-712	Spool Shaft w/sleeve
62A	62A-716	Screw	27	27-712Z	Rotor Cup	43	43-710*	Crosswind Block
5	5-710*	Dog Spring	28	28-712	Bail Release Arm	44	44-710	Crosswind Screw
6A	6A-710*	Eccentric	29	29-712	Bail Release Screw	45	45-712Z*	Housing Plate
6B	6B-700Z	Eccentric Liner	29A	50-712	Retaining Screw	46	46-710	Housing Plate Screw
22	22-109	Eccentric Screw	30	30-704	Bail Release Spring	47	47-712Z	Spool w/ Drag and Click
6D	6D-710	Eccentric Spring	31	31-710	Bail Screw	48	48-720	Click Tongue
6E	6E-710	Eccentric Lever	31A	31A-712	Bail Screw (Cam End)	63	63-349	Click Screw
8	8-712*	Main Gear w/Ratchet	32	32-710	Bail Spring	51	51-710	Retaining Spring
13	13-710	Crosswind Screw	33	33-712	Plastic Bumper	52	52-710Z	Drag Knob
14	14-710	Crosswind Roller	34	34-712	Bail Cam	56	56 / 1-710	Drag Washer
15	15-712Z*	Handle Complete	35	35-720	Line Roller	57	57-720	Metal Slot Washer
17	17-710	Handle Washer	36	36-700	Bail Lock Nut	57A	57A-712	Metal Keyed Washer
19	19-712	Pinion Gear	37	37-710	Rotor Cup Washer	58	58-720	Metal Washer (Octagon)
20	20-700	Pinion Bearing				60	60-712	Rear Drag Washer-Teflon
21	21-712	Bearing Retainer						

NOTE: To Owners of Penn Green Series of Spinfishers. All parts are interchangeable between the Green Series and the new Z Series except parts 1, 15, 27, 45, 47, 52. To order Green Series parts 1, 15, 27, 45, 47, 52 omit the Z suffix. (Example 1-712) *For 713Z order these parts with model suffix (ie 1-713Z)

712Z & 713Z



23

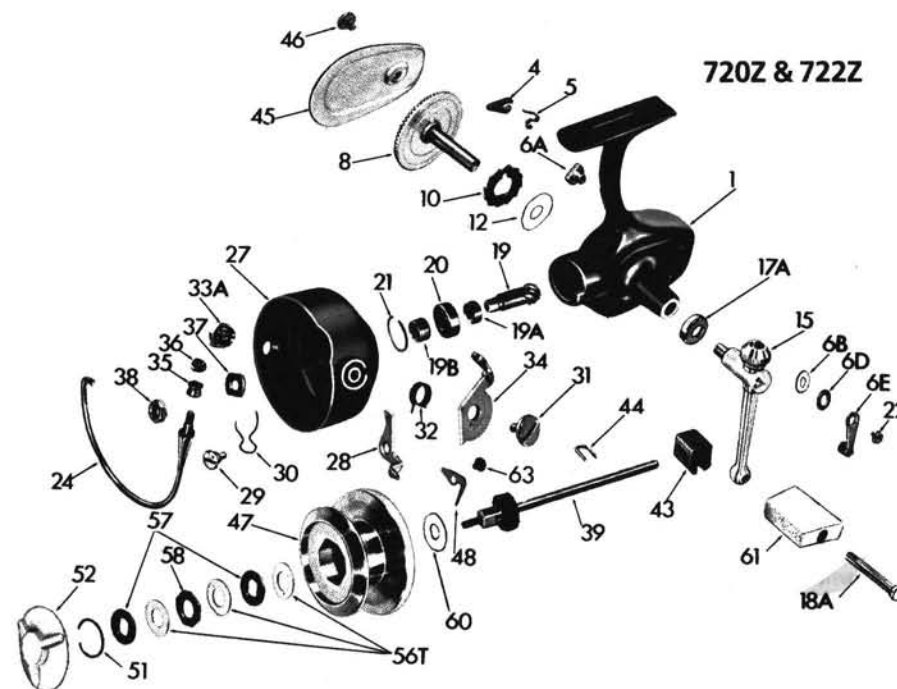
PARTS LIST FOR 720Z & 722Z

24

KEY NO.	PART NO.	DESCRIPTION	KEY NO.	PART NO.	DESCRIPTION	KEY NO.	PART NO.	DESCRIPTION
1	1-720Z	Housing with Bushings	19B	19B-722	Rotor End Spacer	38	38-720	Rotor Cup Nut
4	4-720	Dog	20	20-720	Pinion Bearing	39	39-720	Spool Shaft w/sleeve
5	5-720	Dog Spring	20A	20A-720	Pinion Thrust Washer	43	43-720	Crosswind Block
6A	6A-720	Eccentric	21	21-722	Bearing Retainer	44	44-720	Crosswind Screw
6B	6B-720Z	Eccentric Liner	31	23-720	Bearing Cover Screw	45	45-720Z	Housing Plate
22	22-109	Eccentric Screw	24	24-720	Bail Wire	46	46-720	Housing Plate Screw
6D	6D-720	Eccentric Spring	27	27-720Z	Rotor Cup	47	47-720Z	Spool w/ Drag and Click
6E	6E-710	Eccentric Lever	27	27-722Z	Rotor Cup	48	48-720	Click Tongue
7	7-720	Pinion Bushing	28	28-720	Bail Release Arm	51	51-710	Retaining Spring
8	8-720	Main Gear w/Ratchet	29	29-720	Bail Release Screw	52	52-720Z	Drag Knob
12	12-722	Main Gear Thrust Washer	30	30-720	Bail Release Spring	56T	56T-710	Drag Washer-Teflon
15	15-720Z	Handle Complete	31	31-710	Bail Screw	57	57-720	Metal Slot Washer
17A	17A-720	Handle Cover Washer	32	32-720	Bail Spring	58	58-720	Metal Washer (Octagon)
18A	18A-720Z	Handle Screw	33A	33A-722	Bail Nut	60	60-712	Rear Drag Washer-Teflon
19	19-720	Pinion Gear	34	34-720	Bail Cam	61	61-720Z	Handle Knob
19A	19A-722	Gear End Spacer	35	35-720	Line Roller	63	63-349	Click Screw
			36	36-700	Bail Lock Nut			
			37	37-720	Rotor Cup Washer			

NOTE: To Owners of Penn Green Series of Spinfishers. All parts are interchangeable between the Green Series and the new Z Series except parts 1, 15, 27, 45, 47, 52. To order Green Series parts 1, 15, 27, 45, 47, 52 omit the Z suffix. (Example 1-720)

720Z & 722Z



25

KEY NO.	PART NO.	DESCRIPTION	KEY NO.	PART NO.	DESCRIPTION	KEY NO.	PART NO.	DESCRIPTION
1	1-714Z 1-716Z	Housing with Bushings	22	22-716	Bail Release Ramp	40	40-716	Spool Sleeve Complete
2	2-716	Handle Shaft Bushing	23	23-716	Bearing Retainer Screw	43	43-716	Crosswind Arm
4	4-716	Dog	24	24-714	Bail Wire	44	44-716	Crosswind Shaft Screw
5	5-716	Dog Spring	27	27-714Z	Rotor Cup	45	45-714Z	Housing Plate
6A	6A-716	Eccentric	27	27-716Z	Bail Release Arm	46	46-716	Housing Plate Screw
6B	6B-700Z	Eccentric Liner	28	28-714	Pin Release Arm	47	47-714Z	Spool Complete w/ Drag
22	22-109	Eccentric Screw	29	29-716	Pin Release Arm Screw	48	48-714	Click Spring
6D	6D-716	Eccentric Spring	29 A	50-712	Arm Release Spring	50	50-716	Click Screw
6E	6E-716	Eccentric Lever	30	30-700	Bail Screw	52	52-714Z	Drag Knob
7	7-716	Pinion Bushing	31	31-716	Bail Screw (cam end)	54	54-714	Drag Spring
8	8-716	Main Gear, Ratchet	32	32-716	Bail Spring	54	54-714	Drag Washer-Teflon
13	13-716	Crosswind Screw	33	33-712	Plastic Bumper	56T	56T-714	Drag Washer-Teflon
14	14-716	Crosswind Roller	34	34-716	Bail Arm	57	57-716	Metal Keyed Washer
15	15-714Z 15-716Z	Handle Complete	35	35-716	Line Roller	60	60-716	Rear Drag Knob
17	17-716	Handle Washer	36	36-710	Bail Lock Nut	62 A	62 A-716	Screw Oiler
19	19-716	Pinion Gear	37	37-716	Rotor Cup Washer			
20	20-722	Pinion Bearing	38	38-720	Rotor Cup Nut			
21	21-716	Bearing Retainer	39	39-716	Spool Shaft Complete			

NOTE: To Owners of Penn Green Series of Spinfishers. All parts are interchangeable between the Green Series and the new Z Series except parts 1, 15, 27, 45, 47, 52. To order Green Series parts 1, 15, 27, 45, 47, 52 omit the Z suffix. (Example 1-714)

HOW TO ORDER PENN REEL PARTS


28

- For mail order, state model for which parts are intended.
- Order parts by name and number.
- Include your printed name, address and telephone number with your order.
- An invoice will then be sent to you showing part prices plus shipping and handling charges.
- Send in your check or money order to receive your parts order (do not send cash).
- For faster service, see a local Penn dealer. If he does not have the parts you need, he can order them for you.
- Minimum charge for factory parts order is \$1.00. Minimum charge for telephone MasterCard or Visa orders is \$5.00.

SERVICE OUT OF WARRANTY

Your local Penn dealer can provide fast and convenient service for your Penn reel. You may also return it to Penn for service: Send it insured and include a short note with your reel stating the problem. To avoid errors, please print your name and address clearly on the package and allow approximately three weeks for Penn to receive, service and return your reel. A reasonable charge will be made for parts, labor and return postage.

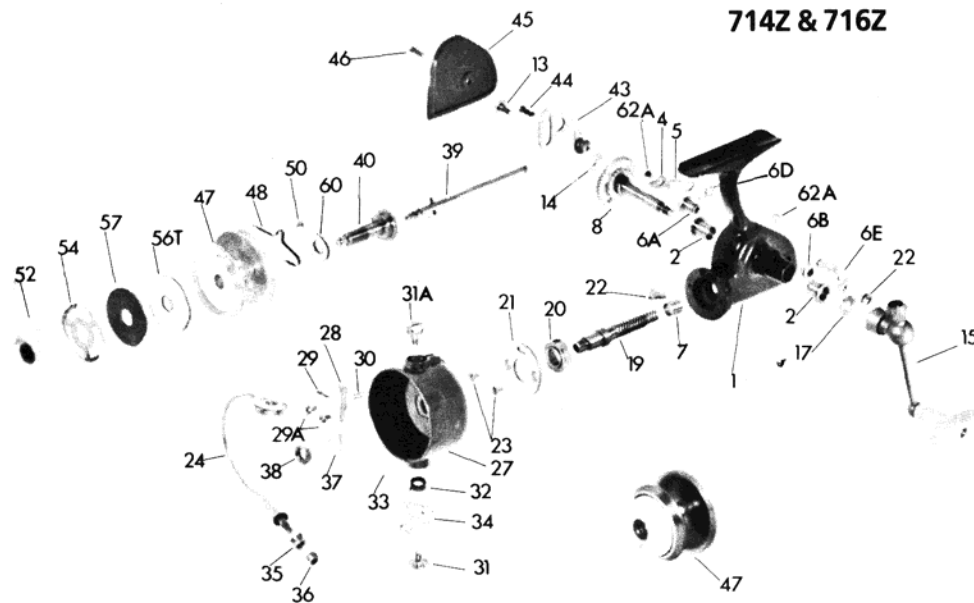
www.PENNparts.com

 **Scott's Bait & Tackle**

**Penn Parts Dept.
945 Radio Road
Tuckerton NJ 08087
(609) 296-1300**

**No Minimum Order!
Plus, Parts in stock
that Penn doesn't
carry anymore.**

714Z & 716Z



LIMITED WARRANTY

29

Penn Fishing Tackle Mfg. Co. warrants your reel to be free from defects in materials and workmanship for a period of one year from the date of purchase. This warranty does not cover damage or malfunctions caused by accident, abuse or normal expected wear. If your reel has a defect within the terms of the warranty, you should return it to us insured and we will repair or replace your reel, at our option, without further cost to you. If, however, we determine after inspection that the repair is not covered by the provisions of this warranty, the reel will be repaired and returned to you at a reasonable charge for labor, parts and return postage.

PENN FISHING TACKLE MFG. CO.
Factory Service Department
3028 W. Hunting Park Avenue
Philadelphia, PA 19132

PENN FISHING TACKLE MFG. CO.
WESTERN WAREHOUSE
354 W. Alondra Blvd.
Gardena, CA 90248

PENN FISHING TACKLE MFG. CO. RESERVES THE RIGHT TO MAKE CHANGES IN PRICES ON SPECIFICATIONS WITHOUT NOTICE.

All warranties which may be implied by operation of law including but not limited to warranties of merchantability and warranties of fitness for any particular purpose, shall be limited to one year from the date of purchase. In no event shall Penn Fishing Tackle Mfg. Co. be liable for consequential or special damages for breach of this warranty or any other warranty which may be implied by law.

Some states do not allow limitations on how long an implied warranty lasts, and some states do not allow the exclusion of consequential or special damages, so the above limitation and/or exclusion may not apply to you.

This warranty gives you specific legal rights, and you may also have other rights which vary from state to state.