

## INTRODUCTION

Congratulations on the purchase of your new PENN TRQ spinning reel. The PENN TRQ utilizes a blend of proven and state of the art technology to provide smooth, efficient, and reliable performance. Each TRQ is constructed to last with high quality components and PENN's 75-plus years of experience building reels.

Features and benefits found on the PENN TRQ are highlighted throughout this manual. Also found in this manual are tips for basic maintenance and upkeep of your new fishing reel.

The entire company would like to thank you for selecting PENN Reels as your reel of choice. We are confident that your reel will perform for many years.

## WARRANTY AND NON-WARRANTY SERVICE

For non-warranty service to your Penn reel, simply return the reel with a brief note describing the service you want performed. Available on the Penn website ([www.pennreels.com](http://www.pennreels.com)) is a repair form that we suggest is completed and returned with each reel for more efficient processing. Penn strives to complete all repairs in a timely manner.

Penn will not initiate service until a means of payment is arranged. Accepted means of payment include only the following credit cards: Mastercard, Visa, American Express, and Discover. COD, personal checks, or cash are not accepted.

Please visit our website [www.pennreels.com](http://www.pennreels.com) for warranty information

PENN Fishing Tackle Mfg. Co.,  
Philadelphia, PA U.S.A.  
[www.pennreels.com](http://www.pennreels.com)  
406-TRQS-E-rev1

### HOW TO ORDER PENN REEL PARTS

1. Call the PENN Parts Department at (800) 892-5444 between 8:30 am and 4:30 pm U.S. East Coast time to order your PENN Parts over the telephone. Accepted means of payment include only the following credit cards: Mastercard, Visa, American Express, and Discover. COD, personal checks, or cash are not accepted.
2. PENN Parts may also be ordered through PENN's local dealer network. Check your telephone directory for a PENN Dealer near you, or visit PENN's website at [www.pennreels.com](http://www.pennreels.com) to locate a nearby dealer.

PENN Fishing Tackle Mfg. Co. reserves the right to discontinue models and make changes in design specifications without notice. PENN's policy of ongoing research may necessitate design changes for Product performance improvement.

**Order Parts Online! ~ We ship to entire USA  
and some International locations**

[www.PENNparts.com](http://www.PENNparts.com)

## CARE AND LUBRICATION

Your PENN Reel is quality manufactured for maximum durability. Like any other precision-made piece of equipment, reasonable care will ensure peak performance and longevity.

After each fishing trip, the reel should be cleaned with a soap solution and fresh water, preferably warm, to remove any accumulated salt deposits.

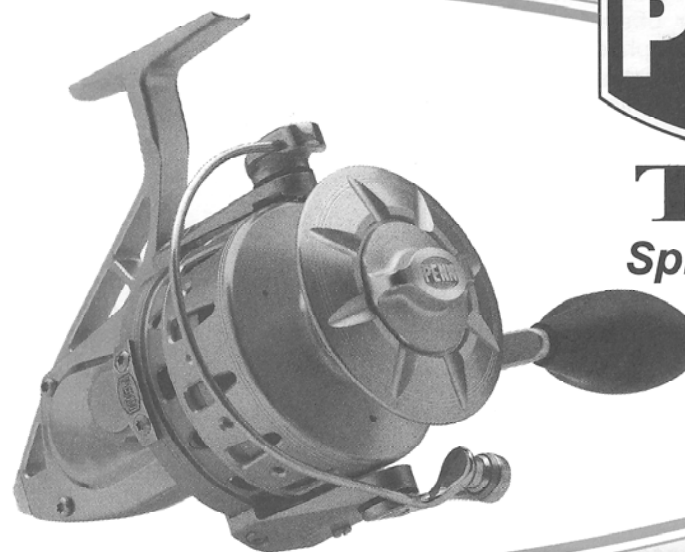
When washing the reel, use caution not to use a driving force of water, since the water pressure will force salt deposits and/or sand into the reel. A very fine spray will help dissolve the salt on the external parts of the reel and rinse from the reel.

Dry excess moisture from the reel and then sparingly lubricate all exposed areas. A good practice is to spray a rag with a pressurized spray lubricant and wipe down the reels with the rag. Your reel should be stored in a cool, dry place. Do not store in a plastic bag, as condensation may develop.

Periodically examine your reel and tighten loose screws and fittings. Depending upon use, your reel should be overhauled at least once every season.

Frictional points in the reel should be frequently lubricated, and for best results use PENN lubricant. PENN's tubes of lube are the right formula, designed specifically for PENN Reels. Keep in mind, that a few drops of oil is usually sufficient

Major points for external lubrication include: handle knob and seal, spool shaft and line roller bearings. It is recommended to open the housing and add a small amount of PENN Reel Grease to the main gear and oscillation system. Care should be taken not to damage the seals during maintenance and re-assembly.



**PENN**  
**TRQ**<sup>®</sup>  
**Spinning Reel**

# TRQ FEATURES

## Bail Trip Selector Switch

Allows the angler to choose between automatic bail trip and manual mode.

## Machined Bronze Gear

High strength gear machined from marine grade bronze for superior smoothness and wear life

## Hardened Stainless Steel Pinion Gear

Precision Pinion is cut directly from hardened stainless steel for ultimate strength

## Integrated Clutch Sleeve

The inner sleeve for the anti-reverse bearing is actually part of the pinion gear, eliminating back play during hook set and preventing mis-alignment.

## Full Metal Body

Housing, side plates, rotor, spool, drag knob and handle are all forged from high strength aluminum, machined to exacting tolerances and anodized for corrosion resistance.

## High Strength 100% Stainless Steel Bail System

All bail components are 100% Stainless steel including bail arm, line roller and bearings. The bail system pivots on stainless steel studs with galvanic isolation from the rest of the reel to eliminate corrosion. The Stainless steel line roller is plated with gold titanium-nitride for added wear resistance.

## Fully Sealed Gearbox and Drag

Multiple custom-designed seals prevent water and dirt from affecting performance of the reel and drag.

## Oversized HT-100 Versa Drag System

Our strongest drag-set ever offered in a spinning reel, PENN's patented HT-100 Versa-Drag utilizes woven graphite fiber technology developed for the automotive industry. The main drag washers are located under the spool, allowing them to be much larger than standard spinning reels', increasing the stopping power with their large diameter.

## 7+1 Sealed Stainless Steel Bearings

All external ball bearings are fully sealed to prevent dirt, salt and sand damage.

## Ball Bearing Oscillation System

The oscillation block rides on a stainless steel ball bearing to reduce the friction of cranking in a big fish under a heavy drag load.

## Permanently Lubricated Polymer Bushings

Light weight, PTFE impregnated polymer bushings for high load and axial motion locations: Spool shaft bushing, Pinion bushing, Bail studs and Oscillation gear. These bushings take the sliding motions that ball bearings cannot, with less weight and friction than bronze bushings.

## Braid-Ready One Piece Forged Aluminum Spool

The spool lip, arbor and skirt are machined out of one solid forging, eliminating joints and gaps that could catch the small diameter braided super-lines.

## High Speed Gear Ratio and High Retrieve Rates

The high gear ratios and large spool diameters of the TRQ Spinning reels allow the angler to retrieve plugs and jigs as fast as possible but still have enough cranking power to fight trophy fish when they hit.

## One-Piece Forged Handle

The solid handle blank extends up through the handle knob without the normal rivet or screw joint that can corrode and weaken.

## Tool-Free Handle Conversion

All TRQ Spinning Reels can be converted from left-side to right-side handle orientation without the use of tools. Simply un-screw and switch the handle and bearing caps on each side of the reel. The handle seal stays with the handle to prevent loss.

## Techno-Balanced Rotor

Wobble-free rotor assembly enhances sensitivity and smoothness. Computer modeling redistributes rotor mass for balanced rotation, resulting in perfect balance and performance.

## Friction Trip Ring

Prevents premature bail trip when casting.

