

PENN[®]

International[®]
Torque[™]

$$\tau = r \times F$$

Torque = rotation x Force

INSTRUCTION MANUAL
PENN FISHING TACKLE MFG. CO.

Penn Fishing Tackle Mfg. Co., 3028 West Hunting Park Avenue,
Philadelphia, PA 19132-1121, U.S.A.

Telephone: (215) 229-9415

FAX: (215) 223-3017

www.pennreels.com

406-TRQ

6/06

**HOW TO
ORDER PENN REEL PARTS**

1. Call the Penn Parts Department at (215) 229-9415 between 8:30 am and 4:30 pm U.S. East Coast time to order your Penn Parts over the telephone. Accepted means of payment include only the following credit cards: Mastercard, Visa, American Express, and Discover. COD, personal checks, or cash are not accepted.
2. Penn Parts may also be ordered through Penn's local dealer network. Check your telephone directory for a Penn Dealer near you, or visit Penn's website at www.pennreels.com to locate a nearby dealer.

**ONLINE
DEALER:**

www.PENNparts.com

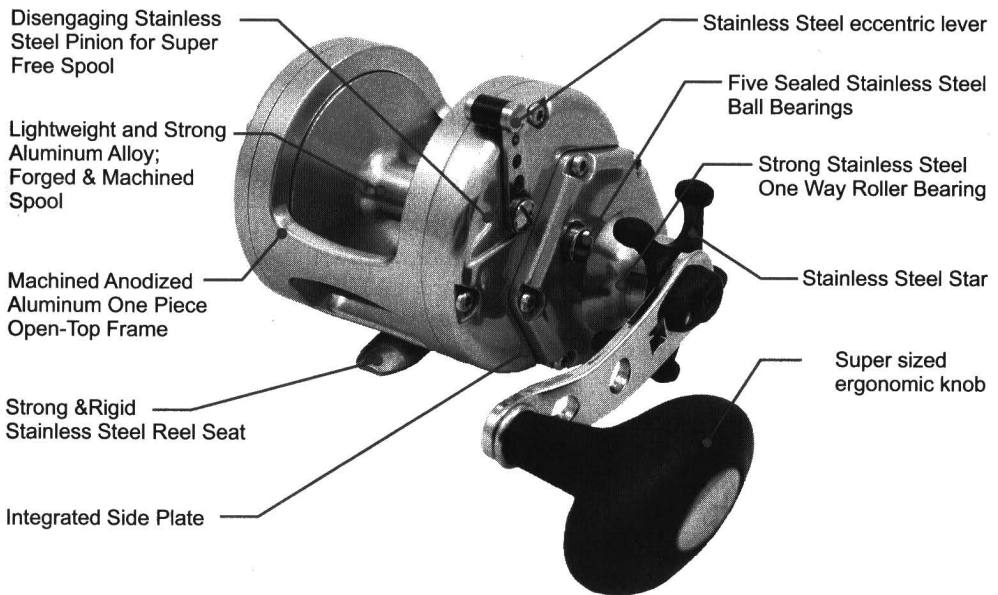
Penn Fishing Tackle Mfg. Co. reserves the right to discontinue models and make changes in design specifications without notice. Penn's policy of ongoing research may necessitate design changes for Product performance improvement.

TORQUE™ INTRODUCTION

Congratulations on the purchase of your International® Torque™. These reels combine all of the latest manufacturing techniques with Penn's commitment to build the highest quality fishing reels. Made with pride in the U.S.A., this heavy-duty reel is perfect for a number of inshore and offshore fishing applications. To get the most out of your new Torque™ take a few minutes to read over this manual and hold onto it for future reference. Good Fishing!



TORQUE™ FEATURES



TORQUE™ FEATURES

Disengaging Pinion. Greatly improves freespool, and allows the Torque™ incredible casting performance. The disengaging pinion was engineered for maximum performance while still maintaining the integrity and power associated with Penn Gearing.

High Speed Gear Ratio. The Torque™ is equipped with a fast 6.3 - 1 gear ratio for high speed cranking power. True to Penn tradition, the Torque™ provides incredible cranking power.

Heavy Duty Gears. Stainless steel pinion gear and stainless steel main gear are precision machined, for heavy use and big fish.

Five Stainless Steel Ball Bearings. Five high-quality, shielded, stainless steel ball bearings are incorporated into the Torque™. Unlike gimmicky, unshielded bearings that clog with contaminants and salt buildup. Penn's high-grade stainless steel ball bearings were designed for performance in a marine environment. Just remember, high-grade Stainless is better than coated, non-shielded bearings.

Penn Ergonomic Fighting Handle. The Soft-Grip material is designed for angler comfort. The oversized knob and offset handle design provides more leverage and cranking power for fish-fighting power.

Aluminum Frame. Lightweight and strong, the open-topped anodized aluminum frame allows easy access to the spool for live-bait fishing.

Aluminum Spool. Lightweight for easy free-spooling and casting, built strong in the Penn tradition, and anodized for protection.

Eccentric Lever. The oversized eccentric lever allows an angler to intentionally disengage into free spool when under a load, useful when lines are tangled, and fish are hard charging.

$$\tau = r \times F$$

Torque = rotation x Force

CARE AND LUBRICATION

Your Penn Reel is quality manufactured for maximum durability. Like any other precision-made piece of equipment, reasonable care will ensure peak performance and longevity.

After each fishing trip, the reel should be cleaned with a soap solution and fresh water, preferably warm, to remove any accumulated salt deposits.

When washing the reel, use caution not to use a driving force of water, since the water pressure will force salt deposits and/or sand into the reel. A very fine spray will help dissolve the salt on the external parts of the reel and rinse from the reel.

Dry excess moisture from the reel and then sparingly lubricate all exposed areas. A good practice is to spray a rag with a pressurized spray lubricant and wipe down the reels with the rag. Your reel should be stored in a cool, dry place. Do not store in a plastic bag, as condensation may develop.

Periodically examine your reel and tighten loose screws and fittings. Depending upon use, your reel should be overhauled at least once every season.

Frictional points in the reel should be frequently lubricated, and for best results use Penn lubricant. Penn's tubes of lube are the right formula, designed specifically for Penn Reels. Keep in mind, that a few drops of oil is usually sufficient

Major points for external lubrication include: Handle knob, eccentric lever, left and right side bearings, and clicker button.

OUT OF WARRANTY SERVICE

For non-warranty service to your Penn reel, simply return the reel with a brief note describing the service you want performed. Available on the Penn website (www.pennreels.com) is a repair form that we suggest is completed and returned with each reel for more efficient processing. Penn strives to complete all repairs in a timely manner.

Penn will not initiate service until a means of payment is arranged. Accepted means of payment include only the following credit cards: Mastercard, Visa, American Express, and Discover. COD, personal checks, or cash are not accepted.