

INTRODUCTION

Congratulations on the purchase of your new PENN Squall reel. Each PENN Squall reel is constructed using only the highest quality components, tapping into PENN's 75-plus years of reel building experience.

Some features found on the PENN Squall Reels are highlighted throughout this manual. Also found in this manual are tips for basic maintenance and upkeep of your new fishing reel. On behalf of the entire company, PENN Fishing Tackle would like to thank you for the purchase of our quality fishing reel.

WARRANTY AND NON-WARRANTY SERVICE

For non-warranty service to your PENN reel, simply return the reel with a brief note describing the service you want performed. Available on the PENN website (www.pennreels.com) is a repair form that we suggest is completed and returned with each reel for more efficient processing. PENN strives to complete all repairs in a timely manner.

PENN will not initiate service until a means of payment is arranged. Accepted means of payment include only the following credit cards: Mastercard, Visa, American Express, and Discover. COD, personal checks, or cash are not accepted.

Please visit our website www.pennreels.com for warranty information

PENN Fishing Tackle Mfg. Co.,
Philadelphia, PA U.S.A.
www.pennreels.com
406-SQLSD-rev0
01/2010

HOW TO ORDER PENN REEL PARTS

1. Call the PENN Parts Department at (800) 892-5444 between 8:30 am and 4:30 pm U.S. East Coast time to order your PENN Parts over the telephone. Accepted means of payment include only the following credit cards: Mastercard, Visa, American Express, and Discover. COD, personal checks, or cash are not accepted.
2. PENN Parts may also be ordered through PENN's local dealer network. Check your telephone directory for a PENN Dealer near you, or visit PENN's website at www.pennreels.com to locate a nearby dealer.

PENN Fishing Tackle Mfg. Co. reserves the right to discontinue models and make changes in design specifications without notice. PENN's policy of ongoing research may necessitate design changes for Product performance improvement.

**Order Parts Online! ~ We ship to entire USA
and some International locations**

www.PENNparts.com

CARE AND LUBRICATION

Your PENN Reel is quality manufactured for maximum durability. Like any other precision-made piece of equipment, reasonable care will ensure peak performance and longevity.

After each fishing trip, the reel should be cleaned with a soap solution and fresh water, preferably warm, to remove any accumulated salt deposits.

When washing the reel, use caution not to use a driving force of water, since the water pressure will force salt deposits and/or sand into the reel. A very fine spray will help dissolve the salt on the external parts of the reel and rinse from the reel.

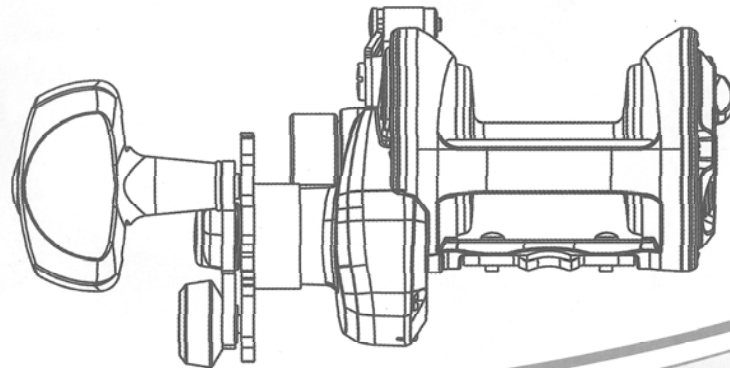
Dry excess moisture from the reel and then sparingly lubricate all exposed areas. A good practice is to spray a rag with a pressurized spray lubricant and wipe down the reels with the rag. Your reel should be stored in a cool, dry place. Do not store in a plastic bag, as condensation may develop.

Periodically examine your reel and tighten loose screws and fittings. Depending upon use, your reel should be overhauled at least once every season.

Frictional points in the reel should be frequently lubricated, and for best results use PENN lubricant. PENN's lube is the right formula, designed specifically for PENN Reels. Keep in mind, that a few drops of oil is usually sufficient

Major points for external lubrication include: Handle knob, eccentric lever, clicker button, and level wind.

SQUALL™
STAR DRAG REELS



FEATURES

HOW TO ADJUST YOUR PENN SQUALL REEL FOR CASTING

One-Piece Frame. Graphite composite construction creates a unified frame that is not only light, but incredibly strong. The open top design allows for easy access to the spool for ease of castability. Reinforced graphite right side plates and reinforcement rings for added strength.

Gearing. Precision machined Marine Grade Bronze Main Gear and Stainless Steel pinion gears create an incredibly strong gearing system built for years of service and performance. Gear ratio of 6 to 1 is the perfect blend of speed and strength.

Stainless Steel Ball Bearings. High-quality, shielded, stainless steel ball bearings are incorporated into the Squall series reels. Unlike gimmicky, unshielded bearings that clog with contaminants and salt buildup, Penn's high grade stainless steel ball bearings were designed for performance in a marine environment.

Aluminum Spool. The aluminum spool is lightweight and strong, and the anodized finish provides the ultimate in corrosion resistance for season after season of hard fishing.

Spool Fill Indicator. Flanges of the spool are machined and anodized with 3 lines indicating approximate spool capacities of 1/3, 2/3 and full.

Handle. The Soft-Grip handle provides a secure grip, even when hands are wet. Convertible for extended or comfort lengths.

Live Spindle. Both the spool and spindle may rotate independently from the drive train and the frame thereby reducing friction during free spool and eliminating binding during retrieve.

Stand and Rod Clamp. Light Weight, anodized aluminum stand and a molded-graphite, one-piece rod clamp combine for an extra measure of strength and security of joining reel to rod.

Eccentric Lever. Solid, positive action allows easy shifting. Push eccentric lever forward to put reel in gear, pull backward to put reel in free spool

Click Warning Device. Pull the easy grip click button backward (up) to engage clicker, push forward (down) to disengage clicker. Invaluable under certain conditions, the clicker alerts the angler when fish is taking line.

Star Drag. Stainless steel and HT-100 drag system for smooth, dependable performance. Turn five point star wheel clockwise for more drag, counter-clockwise for less. Features audible click

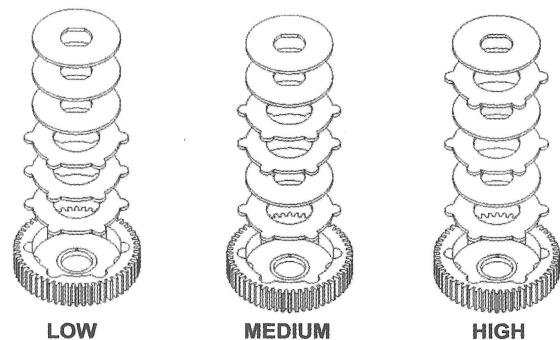
Your Penn Squall casting reel features two controls for trouble free casting. The spool tension knob is your mechanical control. It contains a soft rubber pad and a bronze washer which exerts various degrees of pressure on the spindle, depending on your setting.

The magnet control is your fine tuning adjustment for precision control settings. It contains a magnet composed of rare earth metals, which emit a magnetic field. This magnetic field, through a series of complex molecular interactions, alters the rotational speed of any electrically conductive material passing through its field. Thus, the rotation of the Squall spool will be affected by this magnetic field. Turning the magnet brake control dial will vary the strength of the magnetic field applied to the spool, which will in turn govern the rotational speed of the spool while casting or free spooling. Turn easy adjustment dial clockwise for more braking, counter-clockwise for less. Use dots on side plate and audible click for handy reference while adjusting magnet control. Firm spring loaded detents prevent accidental adjustment. O-ring seal to prevent intrusion of sand and debris.

SETTING THE CONTROLS

First mount your Penn Squall reel on the rod you plan to use. Then, fill your Squall reel with good quality line to the top spool fill indicator line on the flange of the spool. On the end of your line, attach a lure or weight representing the general weight you will be casting. Check that the magnet control dial is completely turned clockwise. Hold the rod at an angle just above horizontal and put your Squall reel in free spool. Allow the weight to fall to the ground and adjust the spool tension control so that the weight falls easily and will not backlash.

Now try a cast suitable to your type of fishing. There are many different casting techniques that vary according to regions, conditions and species sought. If you feel that the Squall's controls are set to tightly and they are hampering casting distance, decrease either the magnetic control or the spool tension control. Depending on the nature and style of your particular casting, some trial and error casting and adjustment sequences are recommended to achieve backlash-free casting. Dots on the side plate allow easy references while adjusting the magnet control.



VERSA-DRAG. By rearranging the sequence of the keyed metal washers and eared HT-100 washers, you can obtain a range of drag settings.

