

Please visit our website www.pennreels.com for warranty information

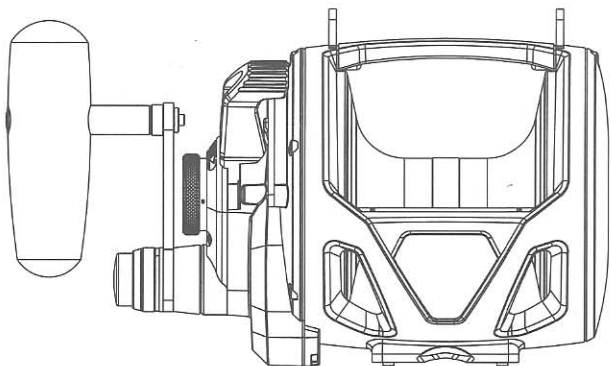
PENN will not initiate service until a means of payment is arranged. Accepted means of payment include only the following credit cards: Mastercard, Visa, American Express, and Discover. COD, personal checks, or cash are not accepted.

For non-warranty service to your PENN reel, simply return the reel with a brief note describing the service you want performed. Available on the PENN website (www.pennreels.com) is a repair form that we suggest is completed and returned with each reel for more efficient processing. PENN strives to complete all repairs in a timely manner.

WARRANTY AND NON-WARRANTY SERVICE

Congratulations on the purchase of your new PENN Squall Lever Drag 2-Speed reel. Each PENN Squall reel is made with PENN's 75-plus years of reel building experience. The focus of this series is to produce a lightweight, and powerful lever drag 2-speed reel. Some features found on the PENN Squall LD2 are highlighted throughout this manual. Also found in this manual are tips for basic maintenance and upkeep of your new fishing reel. On behalf of the entire company, PENN Fishing Tackle would like to thank you for the purchase of our quality fishing reel.

SQUALL LD2 INTRODUCTION

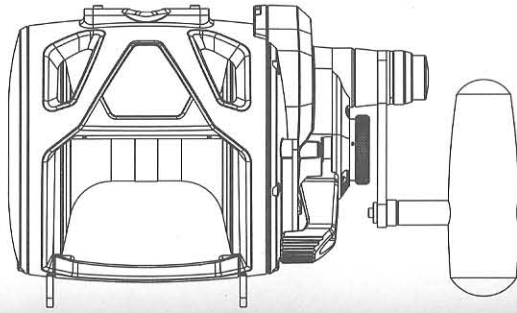


SQUALL™

LEVER DRAG 2-SPEED REELS

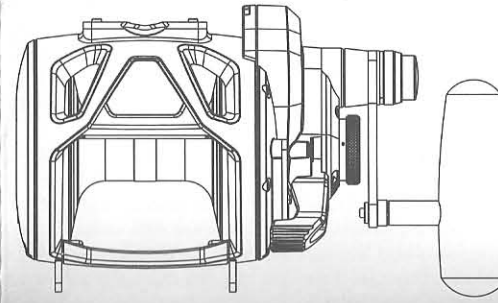
40	Full	MAX DRAG RATING (WITH FREE SPOOL)
30	Strike	
33 / 17		IPT - Inches Per Turn
2.9:1 / 1.5:1		Gear Ratio

SQL50VSW

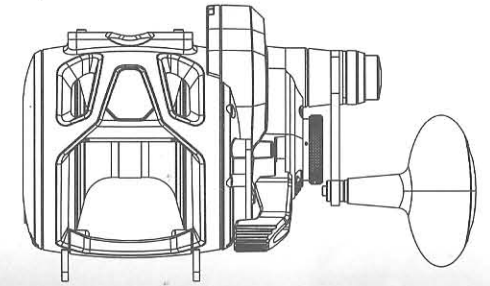


32	Full	MAX DRAG RATING (WITH FREE SPOOL)
24	Strike	
41 / 18		IPT - Inches Per Turn
4.2:1 / 1.8:1		Gear Ratio

SQL30VSW



SQL16VS



SQUALL LEVER DRAG 2-SPEED MODELS

CARE AND LUBRICATION

Your PENN Reel is quality manufactured for maximum durability. Like any other precision-made piece of equipment, reasonable care will ensure peak performance and longevity.

After each fishing trip, the reel should be cleaned with a soap solution and fresh water, preferably warm, to remove any accumulated salt deposits.

When washing the reel, use caution not to use a driving force of water, since the water pressure will force salt deposits and/or sand into the reel. A very fine spray will help dissolve the salt on the external parts of the reel and rinse from the reel. A rubber drag seal is only active when the drag is engaged so make sure the drag is engaged when washing your reel.

Dry excess moisture from the reel and then sparingly lubricate all exposed areas. A good practice is to spray a rag with a pressurized spray lubricant and wipe down the reels with the rag. Your reel should be stored in a cool, dry place. Do not store in a plastic bag, as condensation may develop.

Periodically examine your reel and tighten loose screws and fittings. Depending upon use, your reel should be overhauled at least once every season.

Frictional points in the reel should be frequently lubricated, and for best results use PENN lubricant. PENN's lube is the right formula, designed specifically for PENN Reels. Keep in mind, that a few drops of oil is usually sufficient.

HOW TO ORDER PENN REEL PARTS

1. Call the PENN Parts Department at (800) 892-5444 between 8:30 am and 4:30 pm U.S. East Coast time to order your PENN Parts over the telephone. Accepted means of payment include only the following credit cards: Mastercard, Visa, American Express, and Discover. COD, personal checks, or cash are not accepted.

2. PENN Parts may also be ordered through PENN's local dealer network. Check your telephone directory for a PENN Dealer near you, or visit PENN's website at www.pennreels.com to locate a nearby dealer.

PENN Fishing Tackle Mfg. Co. reserves the right to discontinue models and make changes in design specifications without notice. PENN's policy of ongoing research may necessitate design changes for product performance improvement.

PENN Fishing Tackle Mfg. Co.,
Philadelphia, PA U.S.A.
www.pennreels.com
PEN-252-SQLLD2-ver1
1/2013

Copyright 2013 PENN Fishing Tackle Mfg. Co.



**Order Parts Online! ~ We ship to entire USA
and some International locations**

www.PENNparts.com

FEATURES

• **Stainless Steel Gearing** - Precision machined Stainless Steel main gears and machined and heat treated pinion gears create an incredibly strong gearing system built for years of service and performance. The fast retrieve of the high speed gears allows rapid retrieval under relatively light loads while the reduced gear ratio of the low speed gears give high Squall for retrieving heavy loads.

• **Aluminum Spool** - The forged aluminum spool is lightweight and strong, and the anodized finish provides the ultimate in corrosion resistance for season after season of hard fishing. A knurl on the spool arbor grips line to prevent it from rotating relative to the spool.

• **Dual Anti-Reverse Dogs** - Squall reels feature a near instant anti reverse with staggered dual backup dogs to eliminate handle backlash and provide positive drag engagement.



• **Line Capacity Rings** - Flanges of the spool are machined with 3 lines indicating approximate spool capacities of 1/3, 2/3 and full.



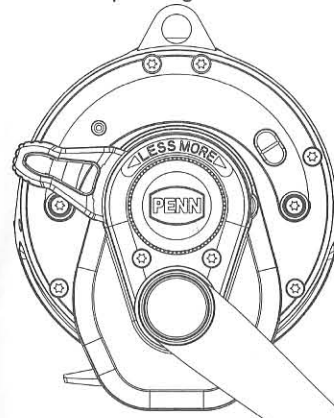
• **Quick Shift 2 Speed System** - Large easy to locate button is depressed to shift from high to low speed. Button can be pressed with your palm without even removing your hand from the handle. Knurled collar is rotate in either direction to easily shift back into high gear.



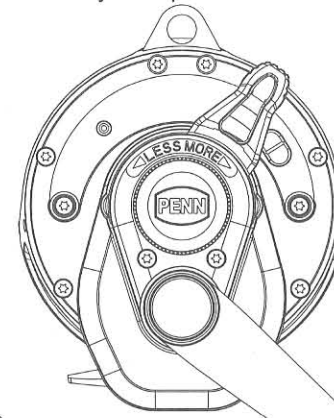
• **Dura Drag** - Durable carbon fiber drag mated with rotary tuned stainless steel washer results in incredibly smooth and long lasting drag. Drag components are shielded from water by a drag cover.

CONTROLS

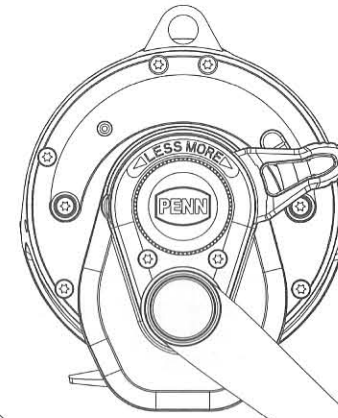
The Squall Lever Drag Reel is relatively easy to operate. Take a few moments to familiarize yourself with the operating controls listed below for your Squall reel.



"FREE" LEVER POSITION



"STRIKE" LEVER POSITION



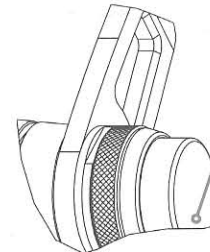
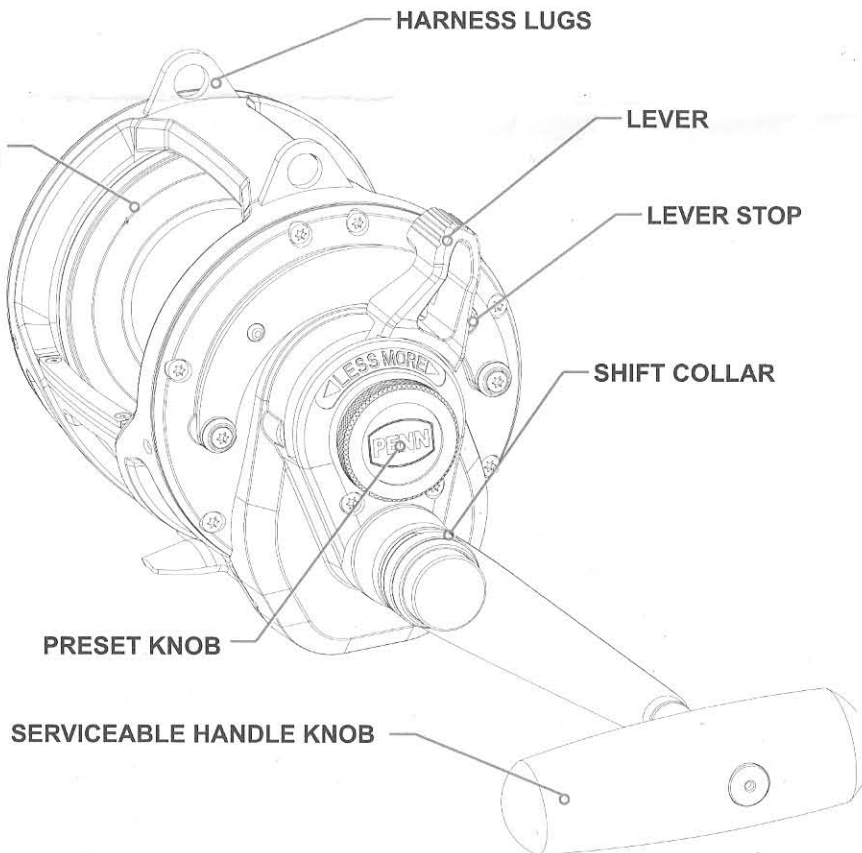
"FULL" LEVER POSITION

Drag Lever

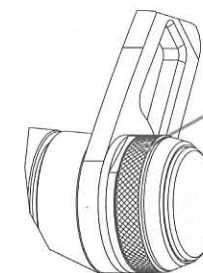
The lever provides 146 degrees of continuous drag adjustment, from the "Free" position, with no drag force to the "Strike" position, where you strike and fight the fish, to the "Full" position, which provides an extra few pounds of drag force when you need it. In order to move the drag lever into the "Full" setting, depress the black locating button with your index finger and move the lever forward.

Preset Knob

Turning clockwise increases the preset drag force and turning counter-clockwise decreases the drag force. Always turn the preset knob with the drag lever in the "Free" position.



PRESS BUTTON FOR LOW
SHIFT BUTTON IN HIGH GEAR



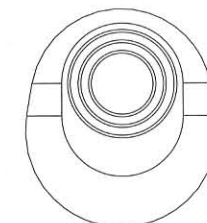
ROTATE COLLAR FOR HIGH
SHIFT BUTTON IN LOW GEAR

Shifting Controls

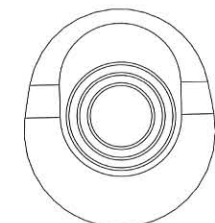
The position of the large button located on the end of the handle opposite the knob indicates if the reel is in high or low gear. When the button sticks out beyond the knurled shift collar the reel is in high gear. When it is nearly flush with the top of the collar it is in low gear. To shift from high to low press the shift button until it locks into the depressed low gear position. The reel can be shifted into low without taking your hand off the handle knob by pressing the button with the palm of your hand. Shifting back into high gear from low is done by rotating the knurled shift collar in either direction until the button pops up. The reel can't be shifted while a cranking force is applied to the handle.

Warning Click

When turned on, acts as an alarm when line is pulled from the reel. The click also provides enough braking on the spool to keep it from revolving too easily and overrunning. To turn the warning click on slide the click button toward the center of the reel. To turn the click off slide the click button away from the center of the reel.



CLICK "OFF" POSITION



CLICK "ON" POSITION

USE AND CARE

Loading Line

First mount your reel to your rod and attach rod clamp hardware. The round heads of the rod clamp screws are inserted into the round cutouts in the stand, with milled flats facing the square stand cutout. Move the screws outward until the flats machined into the underside of the rod clamp screw heads contact the stand square stand cutouts. Next, the hex nuts should be threaded onto the clamp screws to hold the screws in place on the stand. Finally assemble the clamp and the clamp nuts. Tighten them snugly but do not over tighten.

You can use any type or combination of line on your reel. Line capacity will vary depending on factors including line type, line brand, how tightly the line is wound onto the reel, and how full the spool is filled. Lines machined in the spool flanges indicate the recommended maximum fill diameter. Filling only to this diameter will prevent line from rubbing on the reel if it is not wound evenly on the spool, as often happens when fighting a fish.

How you tie the line on to your spool is a matter of personal preference, as the knurled arbor will keep the line anchored to the spool. Load the line using a maximum tension of 10% of the line strength for mono and 20% on line strength for braid. Criss-crossing the line every few layers is advised to keep the line from "burying" itself under the force of a big fish.

Pre-setting Drag

With the drag lever in the "Strike" position the preset knob of your Squall LD2 reel should be adjusted so that the drag will slip when the line is pulled with a force equal to 1/4 to 1/3 of the breaking strength of the line you spool the reel with. This lower setting builds in a good safety margin in case there are any weak links in your line or terminal tackle. Nicks, frays, general line wear and even knots can reduce the line's strength. Also, additional load is placed on the line as it is pulled through the water by a large fish.

Working as a complement to the preset control is the drag lever control. The higher you push the lever, the more drag force you add. The preset is adjusted to yield the desired "Strike" drag setting, but you can increase or decrease drag force by pushing up or pulling back on the lever. The quadrant on the Squall LD2 reels features 146 degrees of adjustment, from free (no drag force) to strike (where you strike and fight the fish) to full drag, which gives you a bit more drag force when you need it. You can move the lever up to "Full" for slowing down a truly large fish at the beginning of its run, or at the end of a fight, when you are up to the leader or hauling in dead weight. Never use the full drag when you are more than half spooled – if anything, back off on the drag, since a smaller diameter of line left on the spool translates into greater line force and backing off is your way of compensating for this law of physics.

Always pre-set the drag with the lever in the "Strike" position, but remember to back the lever down to the "Free" position before turning the preset knob. Doing this will provide the most accurate and consistent pre-setting of the drag. If you turn the preset knob when the drag is in the strike or full position, or anywhere along the quadrant but the free position it will be very hard to turn and you may damage some components in the drag system.

When pre-setting the drag using a scale, rather than pointing the rod at the scale and pulling line directly from the reel, pull line from the rod tip, keeping the rod in a 10 or 11 o'clock fighting position, as if you have a fish on. This will compensate for any friction placed on the line by the rod's line guides. When your spool starts to slip and yield line, check the reading on the scale. If the scale measures less than your desired preset setting, turn the preset knob clockwise and measure the drag again. If the scale measures more than your desired preset setting turn the preset knob counter-clockwise and measure the drag again. Repeat until the desired drag preset is achieved. Pre-setting the drag on your reel is a trial-and-error process, but it is the most necessary step to enjoy the full potential of your reel. After setting the desired drag with the lever in the Strike position be sure to note the drag at the Full and Sunset positions so you will know the drag at three drag lever positions that are easily set while fighting a fish.