

INTRODUCTION

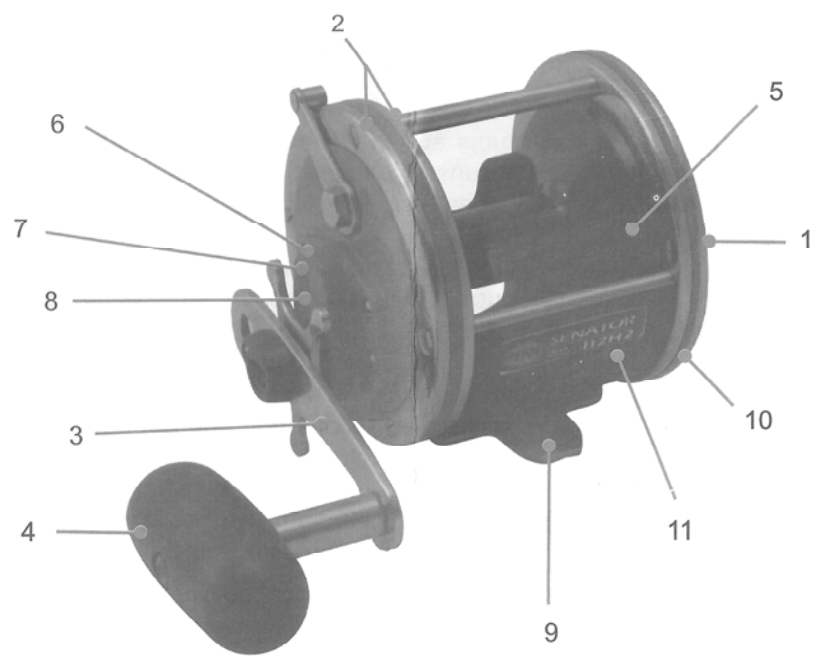
Congratulations on the purchase of your new Penn Special Senator® H2 reel!

Special Senator® H2

Combining the toughness of the legendary Penn Senator® reel with higher gear ratios, the Penn Special Senator® gives serious saltwater anglers the best of both worlds; power and speed. Penn Special Senators are ready for your next challenge, whether trolling, casting large baits, or bottom fishing with the 112H2, 113H2, or 114H2 or standing at the rail of a tuna boat with the wide framed 113H2LW or 114H2LW or trolling wire on the 113H2SP or 114H2SP.

Special Senator® H2 Feature List

1. Side plate construction optimized for damage resistance.
2. Inner and outer stainless steel rings to reinforce side plates.
3. Two position handle, convertible to power position.
4. New ergonomic and textured barrel handle.
5. Black anodized aluminum spool.
- (Chromed brass on 113H2SP and 114H2SP).
6. Shielded, stainless steel ball bearings.
7. High-strength manganese-bronze main gear.
8. Multi-disc HT-100 star drag system.
9. Stainless steel reel stand.
10. Heavy-duty clicker.
11. One piece frame construction



Penn Fishing Tackle Mfg. Co., 3028 West Hunting Park Avenue,
 Philadelphia, PA 19132-1121, U.S.A.
 Telephone: (215) 229-9415
 FAX: (215) 223-3017
 www.pennreels.com
 406-SENH2

Rev 1
 12/08

HOW TO ORDER PENN REEL PARTS

1. Call the Penn Parts Department at (215) 229-9415 between 8:30 am and 4:30 pm U.S. East Coast time to order your Penn Parts over the telephone. Accepted means of payment include only the following credit cards: Mastercard, Visa, American Express, and Discover. COD, personal checks, or cash are not accepted.

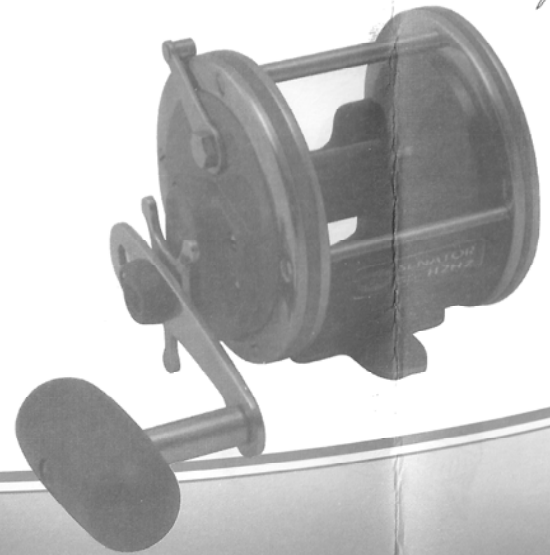
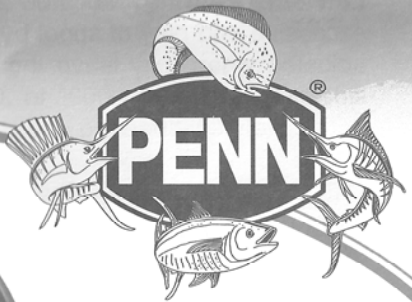
2. Penn Parts may also be ordered through Penn's local dealer network. Check your telephone directory for a Penn Dealer near you, or visit Penn's website at www.pennreels.com to locate a nearby dealer.

Penn Fishing Tackle Mfg. Co. reserves the right to discontinue models and make changes in design specifications without notice. Penn's policy of ongoing research may necessitate design changes for Product performance improvement.

Order Parts Online! ~ We ship to entire USA and some International locations



Special Senator® H2



SPECIAL SENATOR® H2 SERIES FEATURES

Heavy Duty Gears. Stainless steel pinion gears and high strength bronze alloy main gears are precision machined, for heavy use and big fish.

Gear Ratios. Designed for the task at hand. Special Senators® feature a high gear ratio for quick retrieves.

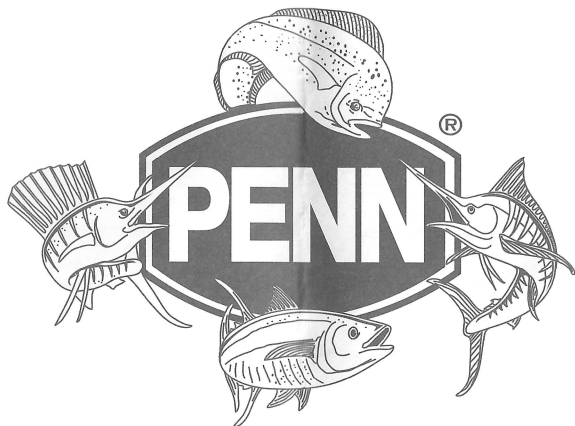
Hardware. Streamlined, low profile rod clamp system. On selected models, harness lugs and rod braces help when battling large game fish. Inner and outer rings reinforce high strength polymer side plates. All H2 models feature a graphite one-piece frame. Corrosion-resistant metal components.

Sturdy Penn Handles. Corrosion resistant shafts with large, comfortable knobs with textured grip. Convertible power handles on all H2 Special Senator® models.

Proven Star Drag System. Powerful and smooth, due to Penn's revolutionary HT-100 drag material. Resists effects of water, oil, salt and other contaminants. Turn star wheel clockwise (down) for more drag, counterclockwise (up) for less drag. Fine threads on both star wheel and sleeve allow for a wide range of drag settings.

Left Side Bearing. Located on center of left side plate. Adjustable to eliminate excessive end play of spool by turning bearing cap clockwise. Reels are properly adjusted when they leave the factory. If needed, adjust so that you barely feel side-to-side motion (.003" to .005") Do not use as an anti-backlash device. An excessively tight bearing cap can damage both left and right side bearings.

Click Warning Device. Push toward center (down) to engage click, pull backward (up) to disengage click. Invaluable under certain conditions, the clicker alerts the angler when the line is going out. It is intended for use only as a signal, and the click should be off whenever possible to maximize life of the clicker assembly.



CARE AND LUBRICATION

Your Penn Reel is quality manufactured for maximum durability. Like any other precision-made piece of equipment, reasonable care will ensure peak performance and longevity.

After each fishing trip, the reel should be cleaned with a soap solution and fresh water, preferably warm, to remove any accumulated salt deposits.

When washing the reel, use caution not to use a driving force of water, since the water pressure will force salt deposits and/or sand into the reel. A very fine spray will help dissolve the salt on the external parts of the reel and rinse from the reel.

Dry excess moisture from the reel and then sparingly lubricate all exposed areas. A good practice is to spray a rag with a pressurized spray lubricant and wipe down the reels with the rag. Your reel should be stored in a cool, dry place. Do not store in a plastic bag, as condensation may develop.

Periodically examine your reel and tighten loose screws and fittings. Depending upon use, your reel should be overhauled at least once every season.

Frictional points in the reel should be frequently lubricated, and for best results use Penn lubricant. Penn's tubes of lube are the right formula, designed specifically for Penn Reels. Keep in mind, that a few drops of oil is usually sufficient

Major points for external lubrication include: Handle knob, eccentric lever, left bearing, and clicker button.

OUT OF WARRANTY SERVICE

For non-warranty service to your Penn reel, simply return the reel with a brief note describing the service you want performed. Available on the Penn website (www.pennreels.com) is a repair form that we suggest is completed and returned with each reel for more efficient processing. Penn strives to complete all repairs in a timely manner.

Penn will not initiate service until a means of payment is arranged. Accepted means of payment include only the following credit cards: Mastercard, Visa, American Express, and Discover. COD, personal checks, or cash are not accepted.